

Introduction

Thank you for purchasing the iPort IW Main PCB Upgrade Kit. After the new main PCB is properly installed, your iPort will have these new features and capabilities:

iPort IW-1

- Charges all compatible iPod®/iPhone® models except for 3rd-generation iPods.

iPort IW-2 – IW-5

- Charges all compatible iPod/iPhone models except for 3rd-generation iPods.
- Selectable variable audio output. A built-in audio preamp allows the iPort to control the iPod's volume via IR or from the iPod when in the General control mode.
- Selectable component or composite/S-Video output.
- Selectable default iPod control mode.
- Main PCB Authentication unlocks the video output on the iPhone 3G and 2nd generation iPod touch.
- The ability to update iPort firmware via an RS-232 cable.

Box Contents

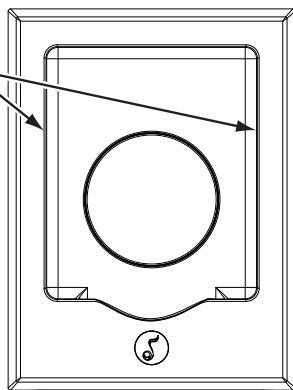
- iPort IW main PCB (PCB for iPort IW-1 is part #70124; PCB for iPorts IW-2 – IW-5 is part #70125)
- Instruction manual

Installation

1. Unplug the iPort power supply from the wall outlet or wallplate.
2. Separate the iPort front face from the utility box, as shown in *Figure 1*.

Figure 1: Separating the iPort face from the utility box

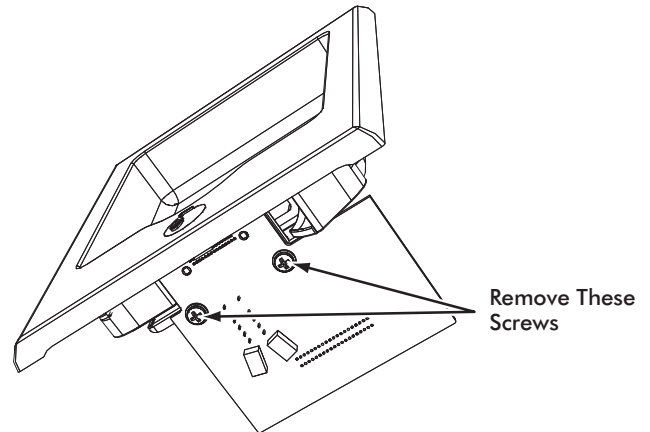
1. Insert Thumbs Here
2. Apply Pressure Outward
3. Pull Face Straight Out From Utility Box



IMPORTANT: Do NOT remove the iPort front face by inserting your fingers into the iPod well and pulling from there — you may damage the iPort.

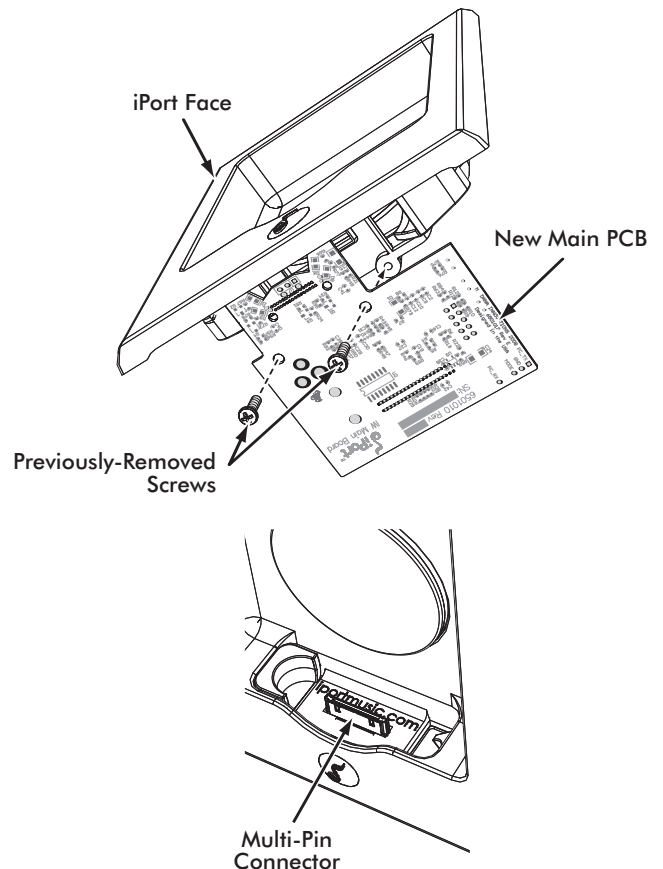
3. Remove the two screws that attach the old main PCB to the iPort face, as shown in *Figure 2*. Separate the PCB from the iPort face.

Figure 2: Removing the old main PCB



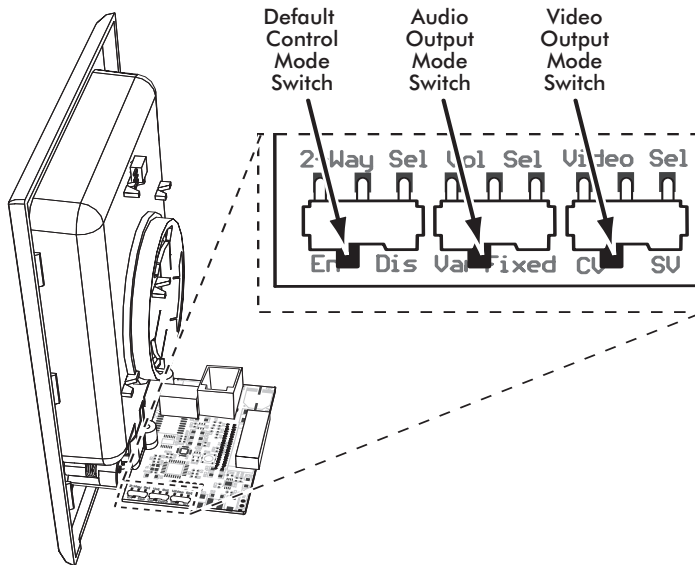
4. Install the new main PCB in the same location on the iPort face using the two screws you previously removed to attach it, as shown in *Figure 3*, top. Ensure that the multi-pin connector is inserted through the opening in the iPod well, as shown in *Figure 3*, bottom.

Figure 3: Attaching the new main PCB



Selectable Features (IW-2 – IW-5 only)

Figure 4: Switches for selectable features



1. Select the desired default control mode (General or Extended). See *Figure 4*. Note: This switch only sets the control mode the iPod first enters whenever it is docked in the iPort. The iPod can be commanded into either control mode at any time by the RS-232 controller.

- EN = Defaults to Extended (RS-232) control mode
- DIS = Defaults to General (normal) control mode

Note: Extended control is only available in the IW-4 and IW-5 models and in IW-3 models with RS-232 upgrade kits installed.

2. Select the desired audio output mode (fixed or variable). See *Figure 4*.

- VAR = Variable (iPort volume can be controlled via IR when in General control mode)
- FIXED = iPort volume is fixed, and must be controlled via the connected audio system.

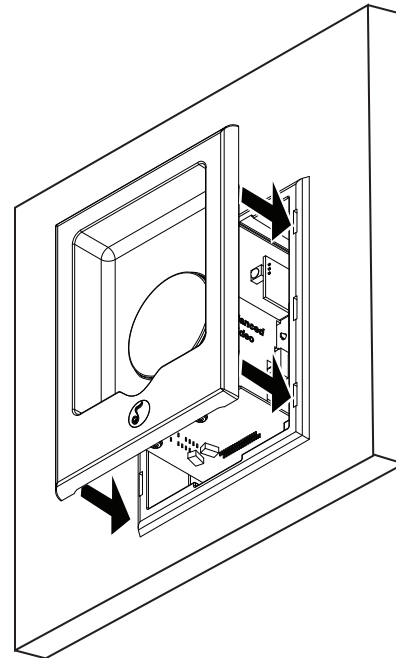
3. Select the desired video output type (component video or composite/S-Video). See *Figure 4*.

- CV = Component video
- SV = Composite/S-Video

Note: Component video output is only available in the IW-5 model and in IW-2 – IW-4 models with balanced video kits installed.

4. Attach the iPort face back into the utility box (see *Figure 5*). Slide the face all the way into the box until it fits snugly into place.

Figure 5: Attaching the iPort face to the utility box



5. Plug-in the iPort power supply and confirm that everything works properly.



Technical Assistance and Service

If you any have questions about the operation or installation of this product, please call our Technical Assistance Department at (800) 582-0772 or (949) 492-7777; from 7 a.m. to 5 p.m., Pacific Time, Monday – Friday.

If your iPort should need repair or service, contact your iPort Authorized Dealer for help, or use the following procedure:

1. Prior to calling, note the product's model number, purchase date, and the name and address of the dealer where you purchased the product.
2. Contact our Technical Assistance Department at the above number(s) and describe the problem the unit is experiencing. If applicable, they will issue a Return Authorization Number.

IMPORTANT: YOU MUST HAVE PRIOR AUTHORIZATION TO RETURN YOUR iPort!

3. If you're directed to return the unit to iPort for repair, pack the unit in its original shipping carton. If needed, you can obtain replacement packaging from us for a small charge. Note: it is best if you place the box into an additional outer "overcarton" before shipment to minimize a chance of theft in shipment. Please include a copy of the original bill of sale inside the package.
4. Contact a package delivery service such as United Parcel Service or Federal Express, to arrange prepaid (not collect) shipping. Do not use the U.S. Postal Service.

IMPORTANT: FREIGHT COLLECT SHIPMENTS WILL BE REFUSED.

5. Write the Return Authorization Number on the outside of the shipping carton.

6. Ship the packaged unit to:
Quality Assurance Department
iPort
212 Avenida Fabricante
San Clemente, CA 92672-7531

Warranty Coverage (U.S. only)

iPort provides the following coverage for units that fail under normal use and according to these instructions due to a defect in workmanship or materials: iPort will, at its option and at no charge, repair or replace the components of such unit that prove to be defective for a period of one year from the date of purchase.

For this warranty to be effective, the bill of sale must show that the unit was purchased from an "Authorized iPort Dealer" and must list the price paid. This warranty shall apply exclusively to the original purchaser.

Furthermore, this warranty shall not apply if:

- 1) Damage to the unit was caused by accident, abuse, or misuse;
- 2) The unit was opened, modified, or repaired by unauthorized personnel; or
- 3) The unit was not used as outlined in the operating instructions.

EXCLUSIONS AND LIMITATIONS

The warranty set forth above is in lieu of all other warranties, express or implied, of merchantability, fitness for a particular purpose, or otherwise. The warranty is limited to iPort products registered herein and specifically excludes any damage to loudspeakers and other allied or associated equipment which may result for any reason from use with this product. iPort shall, in no event, be liable for incidental or consequential damages arising from any breach of this warranty or otherwise. This warranty gives you specific legal rights, and you may have other rights which vary from state to state.



Instruction Manual
iPort IW Main PCB Upgrade Kit

san clemente ca | 888 · 45 · iPort | www.iportmusic.com

©2008 Dana Innovations. All rights reserved.

iPort is a trademark of Dana Innovations. iPod and iPhone are registered trademarks of Apple Inc.

Due to continuous product improvement, all specifications are subject to change without notice.

For the latest iPort product information go to www.iportmusic.com