

Data Sheet

iBridge Bay Kit

BGK2



iBridge Bay



RNET A/V Decoder

The BGK2 iBridge Bay Kit is a complete solution for playing media from a Mac desktop or MacBook computer through a Russound RNET® multiroom system. It provides access to music, playlists and podcasts in any zone, and allows the viewing of movies, photos and DVDs in any zone equipped with a video display.

The iBridge Bay is a tabletop device that treats the iTunes media library as a fully functional RNET Smart source. Combined with a Mac mini computer, the iBridge Bay becomes a cost-effective iTunes media server for the RNET system. From UNO-S2 keypads, users can access and navigate iTunes playlists. From UNO-TS2 touchscreens, users can access playlists, or search media by artist, album, genre, or title.

Using an SRC2 remote in an RNET zone equipped with a video display, users can access the Apple

Front Row interface and search through music, videos, photos or DVDs stored on the computer.

While designed specifically for the Mac mini, the iBridge Bay works with any Mac computer based on an Intel Core Duo processor running OS X v10.4 or higher.

Along with the iBridge Bay, the kit includes an RNET A/V Decoder for connecting to the RNET system. The two components connect to each other with a single CAT-5e cable.

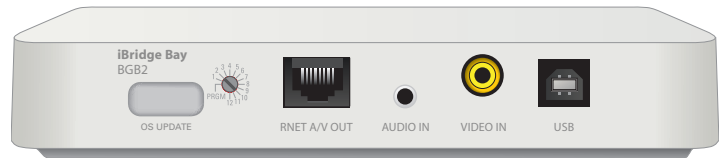
The kit also includes iBridge Bay Application software, patch cables, and a power supply for the RNET A/V Decoder.

Apple, iTunes, Mac, and MacBook are trademarks of Apple Inc., registered in the US and other countries.

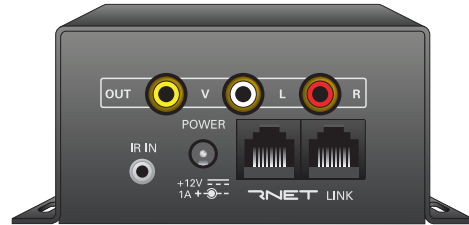
Specifications

BGB2 iBridge Bay

- Switch: 13-position source/function selector
- RNET A/V connector: 8-pole modular RJ-45 jack
- Audio connector: 1/8" (3.5 mm) stereo TRS jack
- Video connector: RCA composite video jack
- Computer connector: USB type B port
- OS Update Port connector: 4-pole jack for Programming Cable, Russound part #2500-521065
- System cable: CAT-5e, 300' (90 m) maximum length
- Power requirement: 5 VDC 100 mA USB
- Dimensions: 6.56" W x 1.0" H x 6.56" D (16.7 x 2.5 x 16.7 cm)
- Weight: 7.2 oz (204 g)



iBridge Bay rear



RNET A/V Decoder rear

RAVD1 RNET A/V Decoder

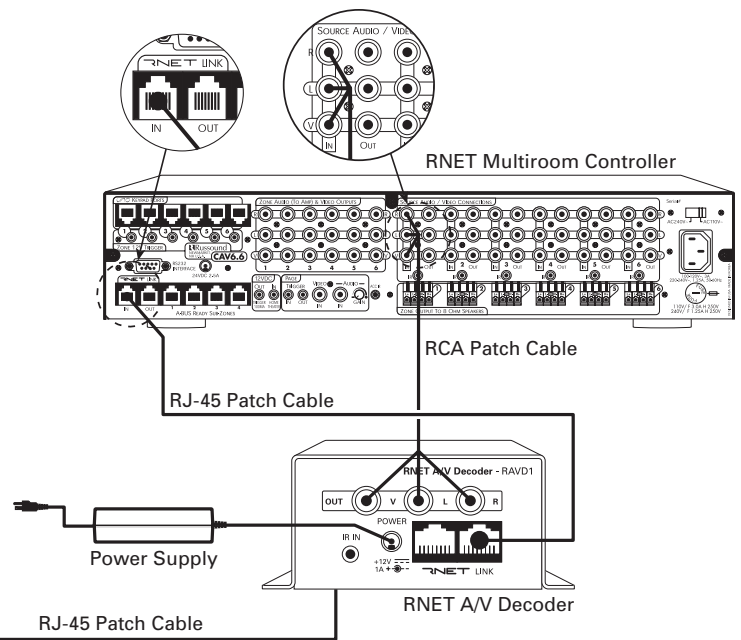
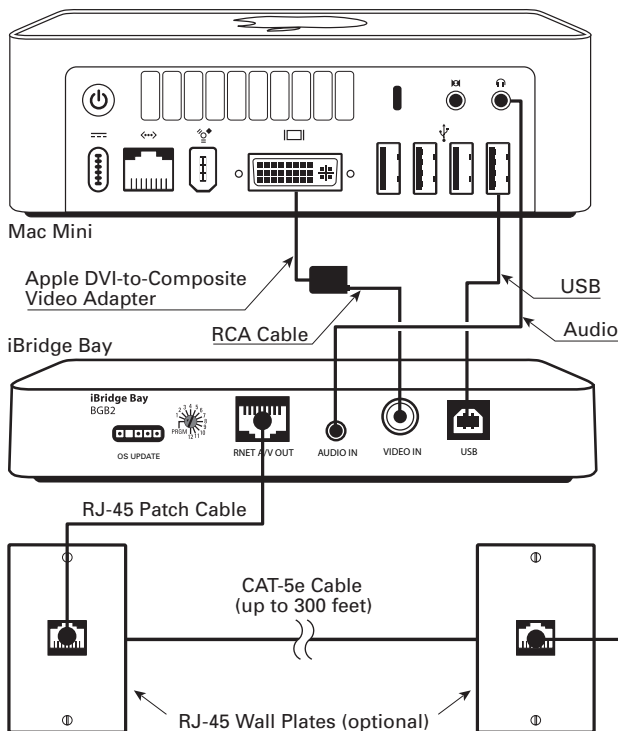
- RNET A/V connector: 8-pole modular RJ-45 jack
- Output connectors: (1) composite video RCA jack (2) left and right audio RCA jacks
- IR Input connector: 2-pole 1/8" (3.5 mm) TS jack
- RNET Link connectors: (2) 8-pole modular RJ-45 jacks
- Power requirement: 12 VDC 1 A (power supply included)
- Mounting method: Surface
- Dimensions: 4.25" W x 1.82" H x 2.5" D (10.8 x 4.6 x 6.4 cm)
- Weight: 10.0 oz (284 g)

Kit includes

- BGB2 iBridge Bay
- RAVD1 RNET A/V Decoder
- 12 VDC 1A power supply
- (2) RJ-45 patch cables
- USB cable
- Composite video cable
- Stereo mini patch cable
- Stereo RCA patch cable
- iBridge Bay Application disk

Mac computer and RNET system not included

Typical Application



5 Forbes Road, Newmarket, New Hampshire 03857 USA

603.659.5170

www.russound.com

Since 1967, innovation, quality and reliability have been the core of the Russound product tradition. Today, Russound offers everything for enjoying multiroom audio-video in your home. All audio-video distributed solutions are built to high standards and designed with the unique consideration of making products that are a pleasure to live with and enjoy.

© 2007 Russound. All rights reserved. All trademarks are the property of their respective owners. Specifications are subject to change without notice. Russound is not responsible for typographical errors or omissions.