



Configuration Tool

MC-12 & MC-8

Installation & Operation Instructions

DOCUMENTATION CONVENTIONS

This document contains configuration tool installation and operating instructions for the MC-12 and MC-8 Digital Controllers. Refer to the MC-12 User Guide or MC-8 User Guides for general safety, installation, and operating instructions.

This document uses the term “component” to refer to the MC-12 and MC-12 Balanced, MC-8, and MC-8 Balanced digital controllers unless otherwise specified.

The following symbols are used in this document:

WARNING

Calls attention to a procedure, practice, condition, or the like that, if not correctly performed or adhered to, could result in injury or death.

CAUTION

Calls attention to a procedure, practice, condition, or the like that, if not correctly performed or adhered to, could result in damage or destruction to part or all of the product.

Note: Calls attention to information that is essential to highlight.

Windows® is a registered trademark of Microsoft Corporation.

© 2003 Lexicon, Inc. All rights reserved.

This document should not be construed as a commitment on the part of Lexicon, Inc. The information it contains is subject to change without notice. Lexicon, Inc. assumes no responsibility for errors that may appear within this document.



Lexicon, Inc.
3 Oak Park
Bedford, MA 01730-1441 USA
Tel 781-280-0300
Fax 781-280-0490
www.lexicon.com

Customer Support

Tel 781-280-0300
Fax 781-280-0495 (Sales)
Fax 781-280-0499 (Service)

SAFETY SUMMARY

The following general safety precautions must be observed during all phases of operation, service, and repair of this instrument. Failure to comply with these precautions or with specific warnings elsewhere in these instructions violates safety standards of design manufacture and intended use of the instrument. Lexicon, Inc. assumes no liability for failure to comply with these requirements.

GROUND THE INSTRUMENT

To minimize shock hazard, the instrument chassis and cabinet must be connected to an electrical ground. The instrument is equipped with a 3-conductor AC power cable. The power cable must be either plugged into an approved 3-contact electrical outlet or used with a 3-contact to 2-contact adapter with the grounding wire (green) firmly connected to an electrical ground (safety ground) at the power outlet. The power jack and mating plug of the power cable meet International Electro-technical Commission (IEC) safety standards.

DO NOT OPERATE IN AN EXPLOSIVE ATMOSPHERE

Do not operate the instrument in the presence of flammable gasses or fumes. Operation of any electrical instrument in such an environment constitutes a definite safety hazard.

KEEP AWAY FROM LIVE CIRCUITS

Operating personnel must not remove instrument covers. Component replacement and internal adjustments must be made by qualified maintenance personnel. Do not replace components with power cable connected. Under certain conditions, dangerous voltages may exist even with the power cable removed. To avoid injuries, always disconnect power and discharge circuits before touching them.

DO NOT SERVICE OR ADJUST ALONE

Do not attempt internal service or adjustment unless another person capable of rendering first aid and resuscitation is present.

DO NOT SUBSTITUTE PARTS OR MODIFY INSTRUMENT

Because of the danger of introducing additional hazards, do not install substitute parts or perform any unauthorized modification to the instrument.

DANGEROUS PROCEDURE WARNINGS

Warnings such as the example below precede potentially dangerous procedures throughout this manual. Instructions contained in the warnings must be followed.

WARNING Dangerous voltages capable of causing death are present in this instrument. Use extreme caution when handling, testing, or adjusting.



ELECTROSTATIC DISCHARGE (ESD) PRECAUTIONS



CAUTION The following practices minimize possible damage to components resulting from electrostatic discharge or improper insertion:

- Keep parts in original containers until ready for use.
- Avoid having plastic, vinyl, or styrofoam in the work area.
- Wear an anti-static wrist strap.
- Discharge personal static before handling devices.
- Remove and insert boards with care.
- When removing boards, handle only by non-conductive surfaces and never touch open-edge connectors except at a static-free workstation.

ABOUT THE CONFIGURATION TOOL

This configuration tool can be used to transfer a configuration to a computer or to transfer a configuration stored on a computer to the component. A stored configuration file serves as an archive of user-defined settings. It can be emailed (for instance, to Lexicon Customer Service if troubleshooting issues arise). If the file is saved in .txt format, it can also be printed.

HARDWARE REQUIREMENTS & SPECIFICATIONS

The following hardware is required to install and/or operate the configuration tool:

1. Personal Computer

- Windows® 95, 98, ME, 2000, or XP operating system
- 312kB of available hard drive space
- RS-232 or USB connector (see number 2 below)

2. USB-to-Serial Port Adapter

A USB-to-Serial port adapter is required if the computer has only a USB connector. It is not required if the computer has an RS-232 connector.

Certain adapters have been reported to be incompatible with the configuration tool. The adapters listed in the table below were known to be compatible at the time of publication. These adapters were tested with a Toshiba Satellite Pro 4600 Laptop running the Windows® 98 SE operating system. For a more current list of compatible adapters, visit the knowledgebase area of the Lexicon website at <http://www.lexicon.com/kbase>.

At the time of publication, the following USB-to-Serial port adapters were known to be compatible with the configuration tool:

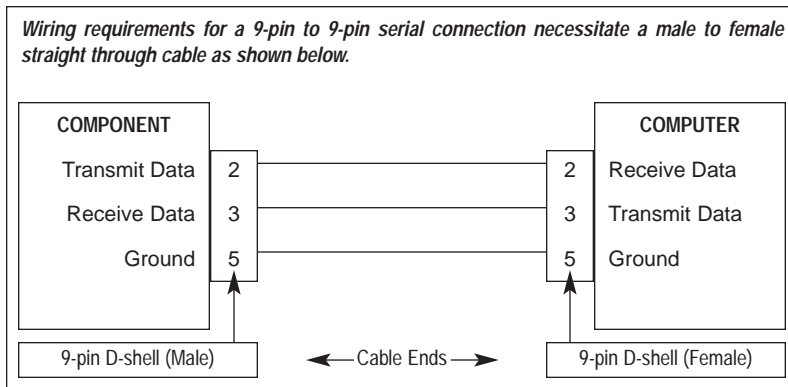
Manufacturer/Model Name	Model Number(s)
Belkin Multiport USB Hub	F5U012x2
Belkin USB PDA Adapter*	F5U109, F5U409
IOGEAR USB PDA/Serial Adapter*	GUC232A
Keyspan	USA-19QW

* Cable adapter

3. Serial Extension Cable

- DB-9 RS-232 connector (9-pin)
- Male to female straight through cable

When the component is powered off with the rear panel power switch, the male connector on the cable should be connected to the RS-232 connector labeled 1 on the rear panel. Then, the female connector on the cable should be connected to the computer serial connector. (If this is a USB connector, a USB-to-Serial port adapter is required. Refer to the adapter documentation for assistance.)



Note:

The component is designed to preserve the configuration file transfers during serial communication failure. However, certain factors such as serial cable type, serial cable length, and environmental conditions sometimes cause communication failure. If this occurs, attempt to transfer the file again. If problems persist, contact Lexicon Customer Service at 781-280-0300 or www.lexicon.com

PRESERVING USER SETTINGS

Configuration tool installation and configuration file transfers will not affect user settings. However, it is recommended to record all user-defined settings on the installation worksheet that begins on page 10 before transferring configuration files. This will expedite the process of reconfiguring the component in the rare event that user settings are lost.

NAVIGATING WINDOWS® OPERATING SYSTEMS

When the configuration tool is installed or operated, the following button is included in windows that appear on the computer monitor:

- **Exit**

Closes the window appearing on the computer monitor and cancels the configuration tool installation or configuration file transfer. When configuration tool installation is canceled, the configuration tool will not be installed. When configuration file transfers are canceled, the file will not be transferred.

INSTALLING THE CONFIGURATION TOOL

1. Exit all Windows operating systems programs.
2. Select and open the ConfigTool.EXE file from the location at which it was saved on the computer.
3. The Welcome window will appear on the computer monitor. Read the notes it contains. Then, press the Next button to continue.
4. The Choose Destination Location window will appear on the computer monitor. If desired, press the Browse button to select the desired location in which to install the configuration tool. The default location is C:\ProgramFiles\Harman\ Configuration. When the desired location is selected, press the Next button to continue.
5. The Start Installation window will appear on the computer monitor. Press the Next button to install the configuration tool in the location that was selected in the previous step. While this occurs, the Installing window will appear on the computer monitor to indicate the amount of time remaining in the installation process.
6. When the configuration tool is installed, the Installation Complete window will appear on the computer monitor. Press the Finish button to complete the installation process.

7. The Configuration icon shown at the right will appear on the computer desktop. The Config file will also appear in the



Configuration
Icon

location that was selected in step 4 (previous column). The configuration tool can be run from either location.

Note:

It is not necessary to restart the computer before transferring configuration files.

TRANSFERRING CONFIGURATION FILES

When installed, the configuration tool can be used to transfer the current configuration to a computer or to transfer a configuration stored on a computer to the component. Refer to the instructions that begin below to transfer the current configuration to a computer. Refer to the instructions that begin on page 8 to transfer a stored configuration back to a component.

Note:

It is recommended to exit all Windows® operating system and Personal Digital Assistant (PDA) programs before operating the configuration tool.

It is also recommended to avoid operating or adjusting the component while a configuration file transfer is in progress – whether the component is sending or receiving the file.

To transfer the current configuration to a computer:

1. Power off the component with the rear panel power switch.
2. Connect the male connector on the serial extension cable to the RS-232 connector labeled 1 on the component rear panel.

Then, connect the female end of the serial extension cable to the computer serial connector. (If this is a USB connector, a USB-to-Serial port adapter is required. Refer to the adapter documentation for assistance. Refer to the Hardware Requirements & Specifications section that begins on page 4 for more information about USB-to-Serial port adapters.)

3. Power on the component with the rear panel power switch.
4. When the component has completed the start-up process, select the Configuration icon on the computer desktop or the Configuration file from the location that was selected in step 4 under Installing the Configuration Tool (previous page). The Configuration icon is shown on the previous page.
5. The Config window will appear on the computer monitor. Select the computer COM port that is connected to the component. (If this is a USB connector, a USB-to-Serial port adapter is required. Refer to the adapter documentation for assistance selecting the correct COM port. Refer to the Hardware Requirements & Specifications section that begins on page 4 for more information about USB-to-Serial port adapters.)
6. Press the Get Config button to transfer the current component configuration to the computer.
7. The Save As window will appear on the computer monitor. If desired, press the Browse button to select the desired location in which to save the configuration file. The default location is C:\Program Files\Harman\Configuration\Data.
When the desired location is selected, enter the name under

which to save the configuration file. The default file name is MyConfig.txt. It is recommended to save the file with a .txt extension.

When the desired location and file name have been selected, press the Save button to continue. The Config window will appear on the computer monitor to indicate the amount of time remaining in the transfer process.

8. If the transfer process was successful:

When the configuration file transfer is complete, the message "Retrieval of configuration was successful" will appear on the computer monitor and the configuration file will appear on the computer in the location that was selected in step 7 (begins in previous column). Read the Note: below, then skip ahead to step 9 on the next page.

Note:

When the configuration file transfer is complete, the message referenced in step 8 (above) will appear on the computer monitor. Though it might seem otherwise, the component is not finished transferring the file until this message appears. The component itself will provide no indication when the file transfer is complete. It is recommended to wait until the file transfer is complete before operating and adjusting the component.

... Transferring Configuration Files continues on page 8

Transferring Configuration Files *(continued from page 7)*

8. If the transfer process was unsuccessful:

The message "Failed to receive system configuration. Please check connections and try again" will appear on the computer monitor. If this occurs:

- Press the OK button to close the message. The Config window will appear on the computer monitor containing the message "Retrieval of configuration was unsuccessful."
- Check the serial cable to ensure a good connection between the component and the computer.
- Begin again with step 6 (page 7).

If problems persist, contact Lexicon Customer Service at 781-280-0300 or go to www.lexicon.com.

9. Press the Exit button to close the configuration tool.

To transfer a stored configuration back to the component:

1. Power off the component with the rear panel power switch.
2. Connect the male connector on the serial extension cable to the RS-232 connector labeled 1 on the component rear panel. Then, connect the female end of the serial extension cable to the computer serial connector. (If this is a USB connector, a USB-to-Serial port adapter is required. Refer to the adapter documentation for assistance. Refer to the Hardware Requirements & Specifications section that begins on page 4 for more information about USB-to-Serial port adapters.)

3. Power on the component with the rear panel power switch.
4. When the component has completed the start-up process, select the Config icon on the computer desktop or the Config file from the location that was selected in step 4 under Installing the Configuration Tool (page 6). The Config icon is shown on page 6.
5. The Configuration window will appear on the computer monitor. Select the computer COM port that is connected to the component. (If this is a USB connector, a USB-to-Serial port adapter is required. Refer to the adapter documentation for assistance selecting the correct COM port. Refer to the Hardware Requirements & Specifications section that begins on page 4 for more information about USB-to-Serial port adapters.)
6. Press the Browse button to select the configuration file to transfer to the component. When the desired file is selected, press the Open button to continue.
7. Press the Send Config button to transfer the selected configuration file to the component. The Configuration window will appear on the computer monitor to indicate the amount of time remaining in the transfer process.

Note:

If an invalid file name is entered in step 6 (above) and sent in step 7 (above), the message "(File name) not found. Please re-enter file name" will appear on the computer monitor. If this occurs, repeat step 6 and step 7 (above). If problems persist, contact Lexicon Customer Service at 781-280-0300 or go to www.lexicon.com.

8. If the transfer process was successful:

When the configuration file transfer is complete, the message "Sending of configuration was successful" will appear on the computer monitor and the component will restart. Read the Note: below, then skip ahead to step 9 at the top of the next column.

Note:

When the configuration file transfer is complete, the message referenced in step 8 (above) will appear on the computer monitor and the component will restart. Though it might seem otherwise, the component is not finished transferring the file until these events occur. It is recommended to wait until the file transfer and start-up processes are complete before operating and adjusting the component.

If the transfer process was unsuccessful:

The message "Failed to receive system configuration. Please check connections and try again" will appear on the computer monitor. If this occurs:

- Press the OK button to close the message. The Config window will appear on the computer monitor containing the message "Sending of configuration was unsuccessful."
- Check the serial cable to ensure a good connection between the component and the computer.
- Begin again with step 6 (previous page).

If problems persist, contact Lexicon Customer Service at

781-280-0300 or go to www.lexicon.com.

9. Press the Exit button to close the configuration tool.

To disconnect the serial extension cable:

1. Power off the component with the rear panel power switch.
2. Disconnect the serial extension cable from the component and the computer.
3. Power on the component with the rear panel power switch.

MC-12 INSTALLATION WORKSHEET

INPUT SETUP	DVD1	DVD2	LD	TV	SAT	VCR	CD	PVR	GAME	TAPE	TUNER	AUX
NAME												
DIGITAL IN												
ANALOG IN												
ANLG IN LVL												
VIDEO IN												
COMPONENT IN												
2-CH												
DD D												
dts-ES												
5.1a												
<i>MAIN ADV</i>												
INPUT SELECT												
ANALOG BYPASS												
S-VIDEO 16:9												
S-VIDEO 4:3 OSD												
COMPONENT OSD												
ZONE2 IN												
RECORD IN												

MC-12 Installation Worksheet (continued from page 11)

SPEAKER SETUP	CUSTOM SETUP	THX SETUP	SPEAKER DISTANCES	LEVELS CALIBRATION
FRONT LEFT/RIGHT		THX 80Hz		
CENTER		THX 80Hz		
SIDE LEFT/RIGHT		THX 80Hz		
REAR LEFT/RIGHT				
SUB LEFT/RIGHT		THX 80Hz		
SUB XOVER				
LFE				
UNITS				
CAL NOISE				
L/R LIMITER				
L/R LIMIT ADJ				
LFE LIMITER				
LFE LIMIT ADJ				

REAR PANEL CONFIG	SETTINGS	
<i>Circle One</i>	8 STEREO INPUTS	5 ST. & (1) 5.1 ANLG

MC-12 Installation Worksheet (continued from page 12)

DISPLAY SETUP	SETTING
ON-SCREEN DISPLAY	
STATUS	
POSITION	
FORMAT	
BACKGROUND	
REMOTE STATE	
FRONT PANEL DISPLAY	
STATUS	
BRIGHTNESS	
A/V SYNC DELAY	
CUSTOM NAME	
EDIT CUSTOM NAME	

VOLUME CONTROL SETUP	SETTING
MAIN PWR ON	
MUTE LEVEL	
ZONE PWR ON	
REC PWR ON	

TRIGGER SETUP	SETTING
TRIGGER 1	
TRIGGER 2	
REMOTE ONLY	
<p><i>If the REMOTE ONLY parameter is set to OFF, circle the inputs and listening modes selected for program operation.</i></p>	
DVD1	CONCERT HALL
DVD2	PARTY
SAT	2-CHANNEL
VCR	MONO LOGIC
TV	MONO SURROUND
CD	MONO
TUNER	5.1 L7 FILM
AUX	5.1 L7 TV
ZONE2 INPUTS	5.1 L7 MUSIC
L7 FILM	5.1 THX SurEX
L7 TV	DOLBY DIGITAL EX
L7 MUSIC	5.1 2-CHANNEL
L7 MUSIC SURR	5.1 MONO LOGIC
DOLBY PLII + THX	5.1 MONO SURR
DOLBY PLII MOVIE	5.1 MONO
DOLBY PLII MUSIC	dts(-ES) L7 FILM
DOLBY PRO LOGIC	dts(-ES) L7 MUSIC
dts NEO:6 FILM	dts (-ES) THX
dts NEO:6 MUSIC	dts THX MUSIC
NIGHTCLUB	dts(-ES)

TRIGGER SETUP Continued	
dts(-ES) 2-CHAN	5.1a STANDARD
5.1a 2-CHANNEL	5.1a THX
2Ch BYPASS	5.1a L7 MUSIC
5.1a BYPASS	5.1a L7 FILM

LOCK OPTIONS	SETTING
SETUP	
AUDIO CNTRL	
MODES	

AUDIO CONTROLS	SETTING
BASS	
TREBLE	
TILT EQ	
LOUDNESS	
BALANCE	
FADER	
ZONE2 BALANCE	
RECORD BALANCE	

MC-8 INSTALLATION WORKSHEET

INPUT SETUP	DVD1	DVD2	SAT	VCR	TV	CD	TUNER	AUX
NAME								
DIGITAL IN								
ANALOG IN								
ANLG IN LVL								
VIDEO IN								
COMPONENT IN								
2-CH								
DD D								
dts-ES								
<i>MAIN ADV</i>								
INPUT SELECT								
2-CH ANLG BYP								
S-VIDEO 16:9								
S-VIDEO 4:3 OSD								
COMPONENT OSD								
ZONE2 IN								

MC-8 Installation Worksheet (continued from page 14)

SPEAKER SETUP	CUSTOM SETUP	THX SETUP	SPEAKER DISTANCES	LEVELS CALIBRATION
FRONT LEFT/RIGHT		THX 80Hz		
CENTER		THX 80Hz		
SIDE LEFT/RIGHT		THX 80Hz		
REAR LEFT/RIGHT				
SUBWOOFER		THX 80Hz		
THX ULTRA2 SUB				
BGC				
ASA				
UNITS				
CAL NOISE				
SUB LIMITER				
SUB LIMIT ADJ				

REAR PANEL CONFIG	SETTINGS		
<i>Circle One</i>	8 STEREO INPUTS	5 ST. & (1) 5.1 ANLG	2 ST. & (2) 5.1 ANLG

MC-8 Installation Worksheet (continued from page 15)

DISPLAY SETUP	SETTING
<i>ON-SCREEN DISPLAY</i>	
STATUS	
POSITION	
FORMAT	
BACKGROUND	
REMOTE STATE	
<i>FRONT PANEL DISPLAY</i>	
STATUS	
BRIGHTNESS	
A/V SYNC DELAY	
CUSTOM NAME	
EDIT CUSTOM NAME	

VOLUME CONTROL SETUP	SETTING
MAIN PWR ON	
MUTE LEVEL	
ZONE PWR ON	

TRIGGER SETUP	SETTING
REMOTE ONLY	
<i>If the REMOTE ONLY parameter is set to OFF, circle the inputs and listening modes selected for program operation.</i>	
DVD1	PANORAMA
DVD2	PARTY
SAT	2-CHANNEL
VCR	MONO LOGIC
TV	MONO SURROUND
CD	MONO
TUNER	5.1 L7 FILM
AUX	5.1 L7 TV
ZONE2 INPUTS	5.1 L7 MUSIC
L7 FILM	5.1 THX SurEX
L7 TV	DOLBY DIGITAL EX
L7 MUSIC	5.1 2-CHANNEL
L7 MUSIC SURR	5.1 MONO LOGIC
DOLBY PLII + THX	5.1 MONO SURR
DOLBY PLII MOVIE	5.1 MONO
DOLBY PLII MUSIC	dts(-ES) L7 FILM
DOLBY PRO LOGIC	dts(-ES) L7 MUSIC
dts NEO:6 FILM	dts (-ES) THX
dts NEO:6 MUSIC	dts THX MUSIC
NIGHTCLUB	dts(-ES)
CONCERT HALL	dts(-ES) 2-CHAN
CHURCH	5.1a BYPASS
CATHEDRAL	2CH BYPASS

LOCK OPTIONS	SETTING
SETUP	
AUDIO CNTRL	
MODES	

AUDIO CONTROLS	SETTING
BASS	
TREBLE	
TILT EQ	
LOUDNESS	
BALANCE	
FADER	
ZONE2 BALANCE	

Lexicon

H A Harman International Company

Lexicon, Inc.
3 Oak Park
Bedford, MA 01730-1413 USA
Tel 781-280-0300
Fax 781-280-0490
www.lexicon.com

Customer Support

Tel 781-280-0300
Fax 781-280-0495 (Sales)
Fax 781-280-0499 (Service)

Lexicon Part No. 070-15860 | Rev 1 | 03/03