

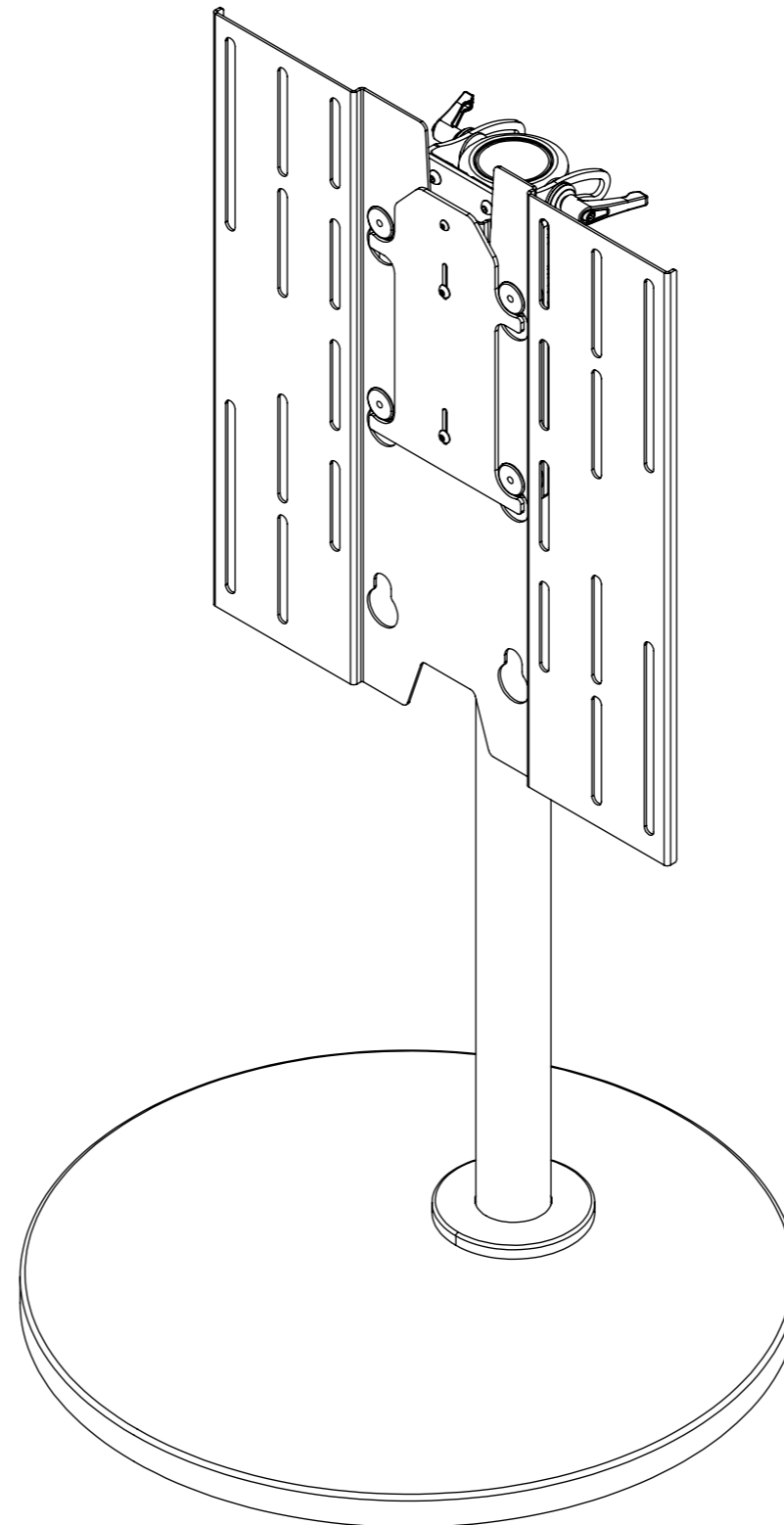


DESIGN HIGHLIGHTS

- Stunning stainless steel finish
- Fully concealed cable management
- Bi-directional swivel

OPTIONS

- Marine suitable option
- Any RAL colour available
- Bang & Olufsen / Loewe mount option



FUNCTION

A free standing mounting solution for flat screen televisions with manual swivel functionality.

Cables for the screen can be routed through the mount for a very neat look.

SUITABILITY

The FM is suitable for screens from 32" up to 65".

Maximum screen weight of 50kg.

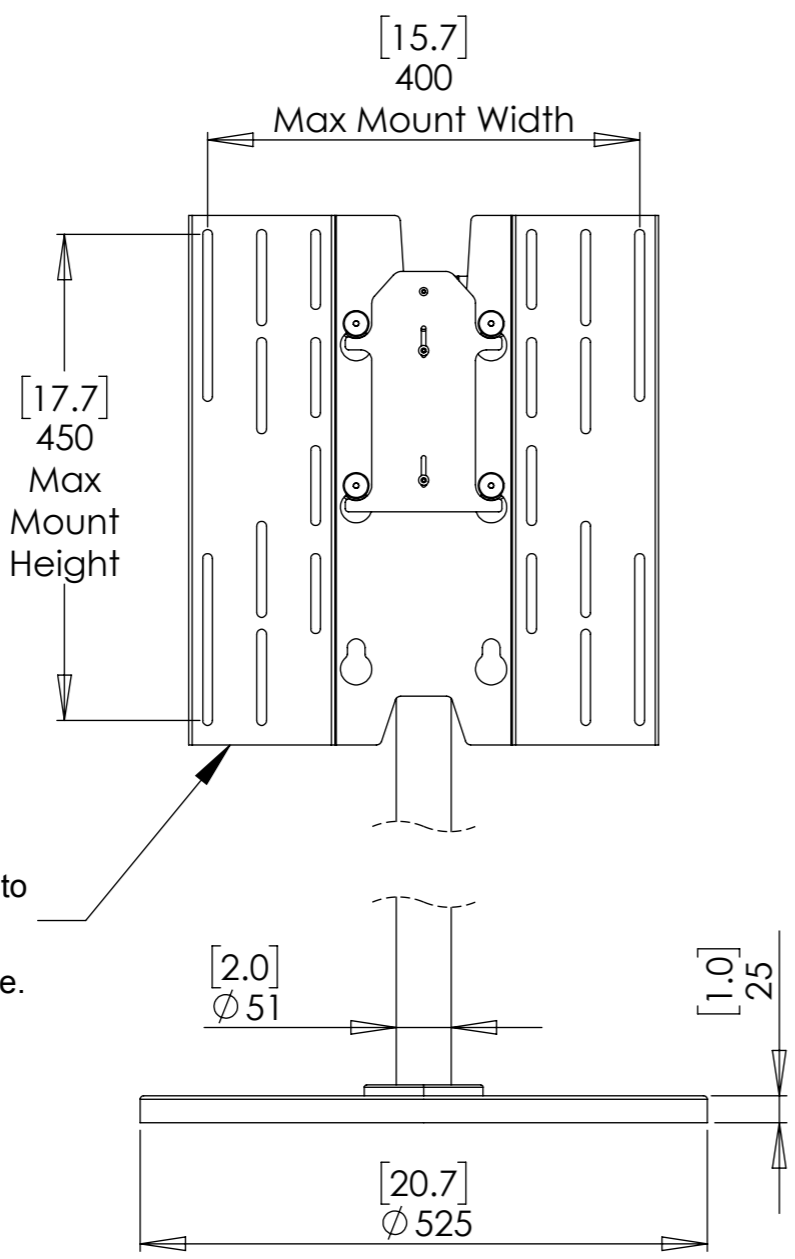
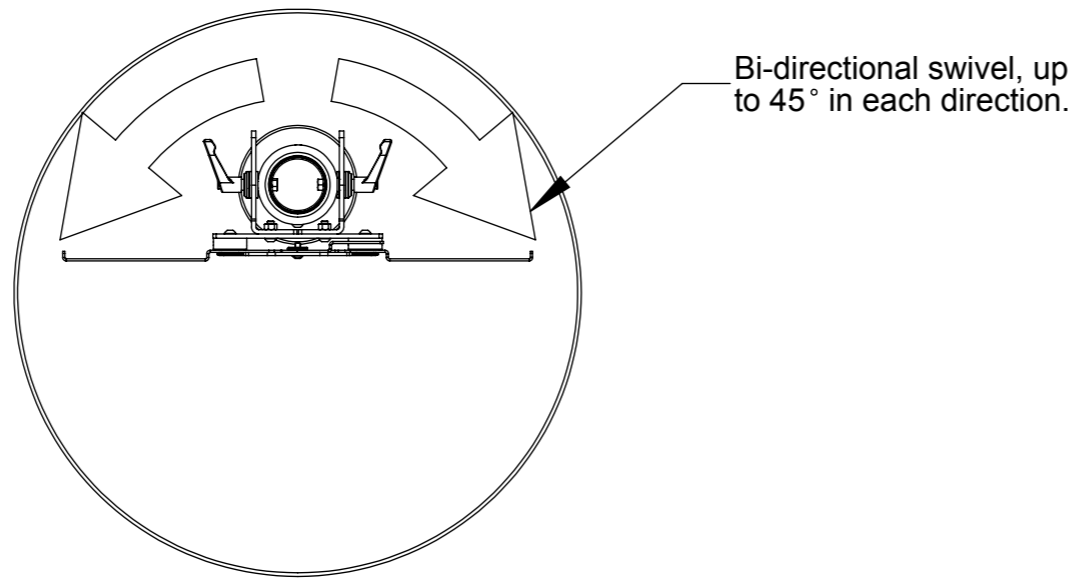
SPECIFYING

Specify mount height required.

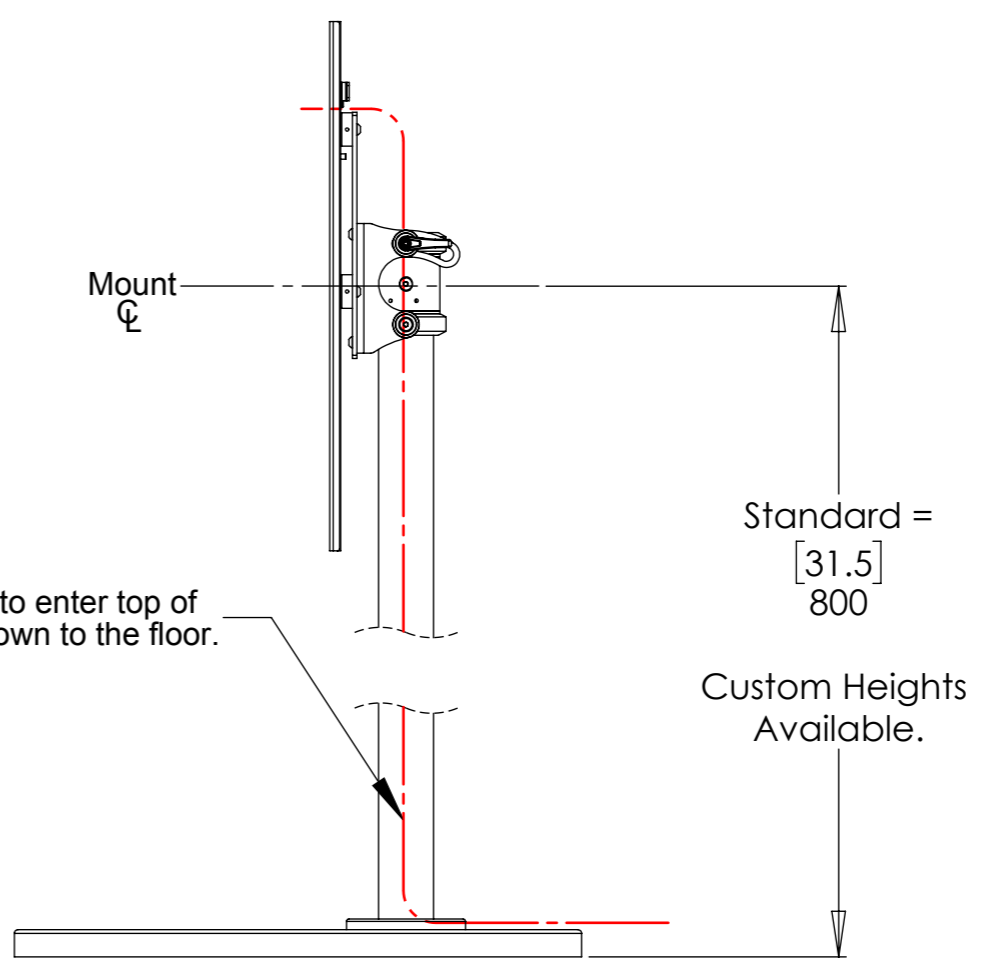
Check screen details for mounting possibilities.

Check angles for viewing.

Mount Dimensions



Quick release mount can accommodate bolt patterns up to VESA 400x400.
Custom mount options available.



Screen cables to enter top of pole and run down to the floor.

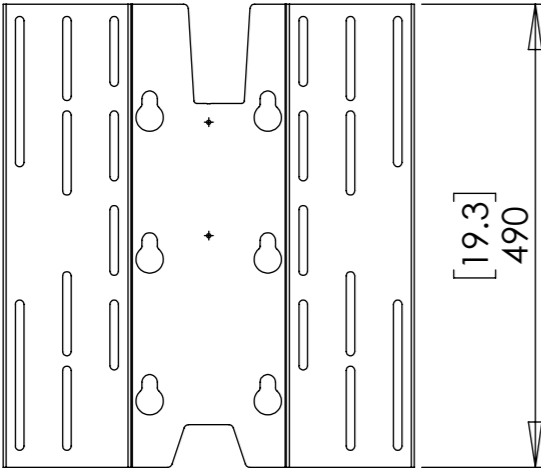
Mount Configurations

A standard adjustable height VESA 400 mount is included. This is also compatible with VESA 300 and 200 mounting patterns.

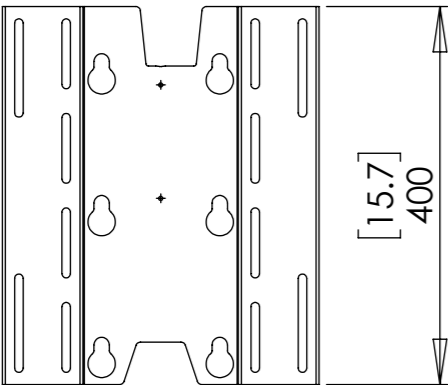
Separate VESA 300 and 200 mounts are available for smaller screens.

With any length pole the screen mount allows up to +45mm [1.8"] and -100mm [4.0"] of height adjustment by switching its orientation.

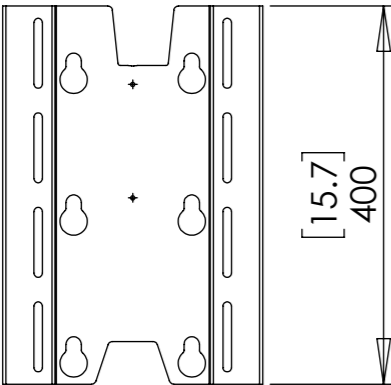
VESA 400



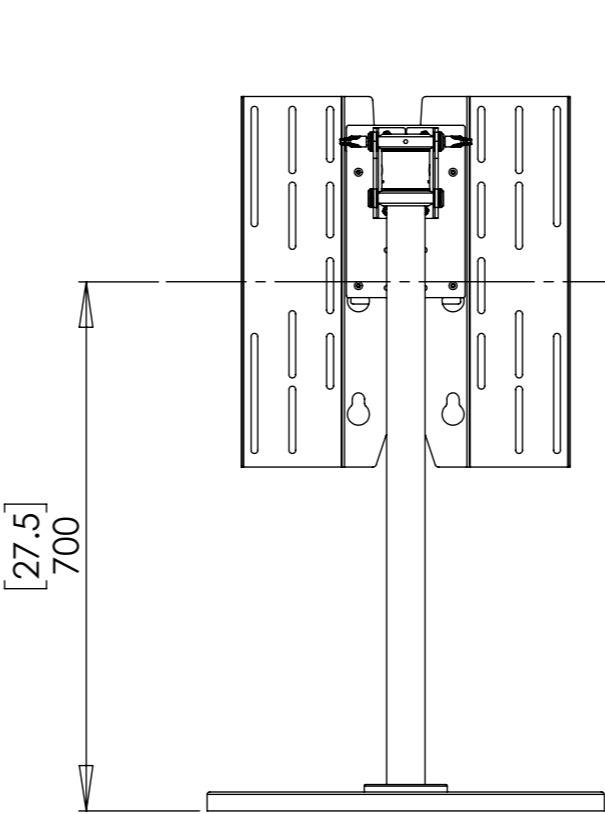
VESA 300



VESA 200



LOW



HIGH

