

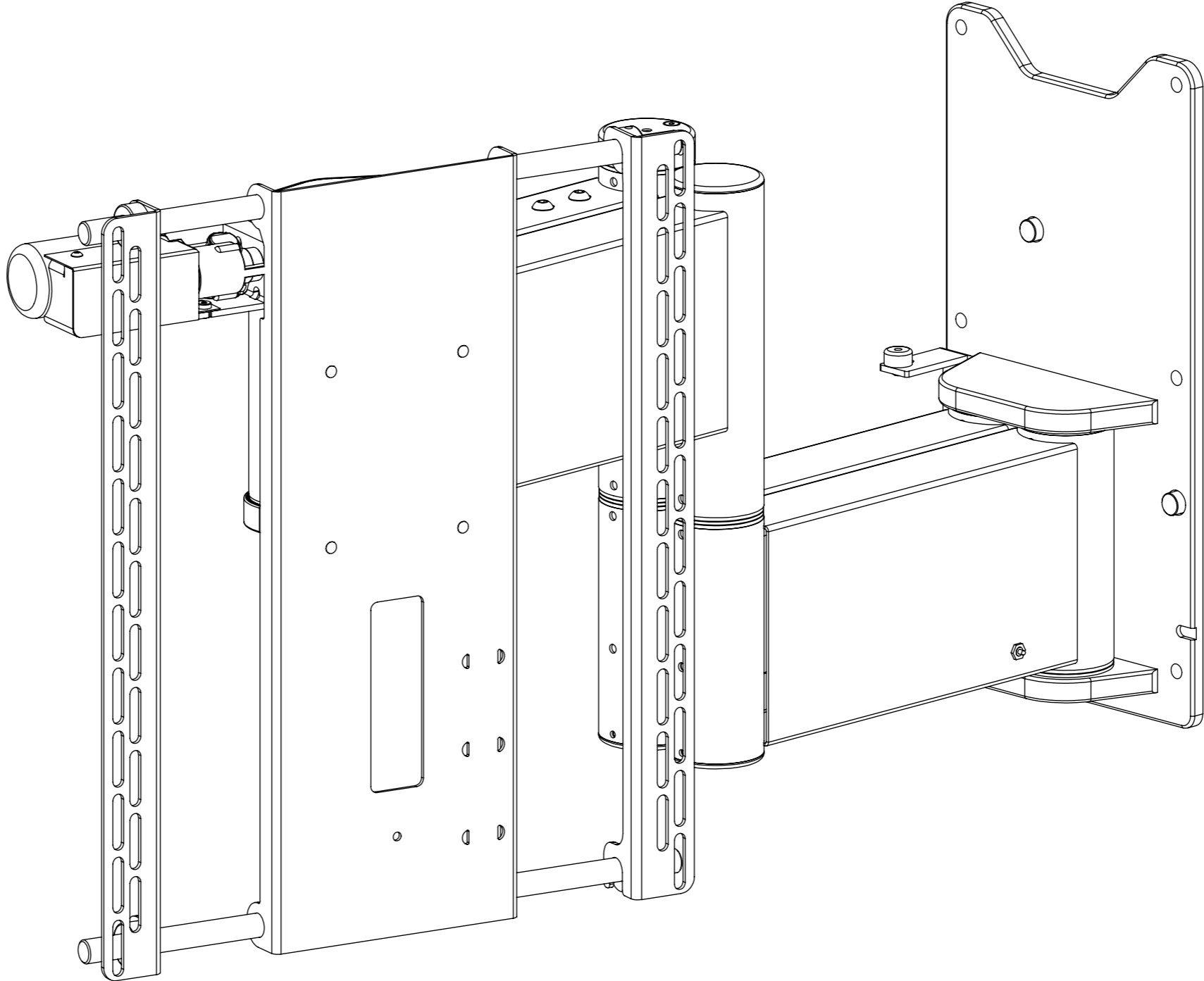


### DESIGN HIGHLIGHTS

- Quiet smooth action
- Full cable management
- Stylish look and finish
- Wide range of mounting options

### OPTIONS

- Marine suitable option
- Any RAL colour available
- Bang & Olufsen / Loewe mount option



### FUNCTION

The QA2 mechanism moves a screen away from a wall to both the right and left, to an angle of up to 75 degrees.

The mechanism can also move parallel to the wall, making it ideal for use in a recess.

Cables for the screen can be routed through the bracket for a very neat look.

### SUITABILITY

The QA2 is ideal for 32" to 50" screens up to 45 KG

A marine version is also available

### SPECIFYING

Check wall makeup to decide on fixings to be used.

Check screen details for mounting possibilities.

Check angles for viewing.

### CONTROL

Supplied with basic infrared remote. Can be learnt by many learning remotes.

Also has switch control and RS232 so can be operated by relays, switches, Crestron / AMX or Lutron systems.

### WARNING

It is the responsibility of the installer to warn all potential and end users of the dangers of interfering with mechanisms during operation

### IMPORTANT

Mechanisms which lift or move weights need to be checked on a yearly basis for any damage which may result in an accident



### Design Highlights

Sophisticated electronics allow for a favourite viewing position to be programmed via the IR remote control.

The mechanism allows up to 750mm extension of screen centre from wall.

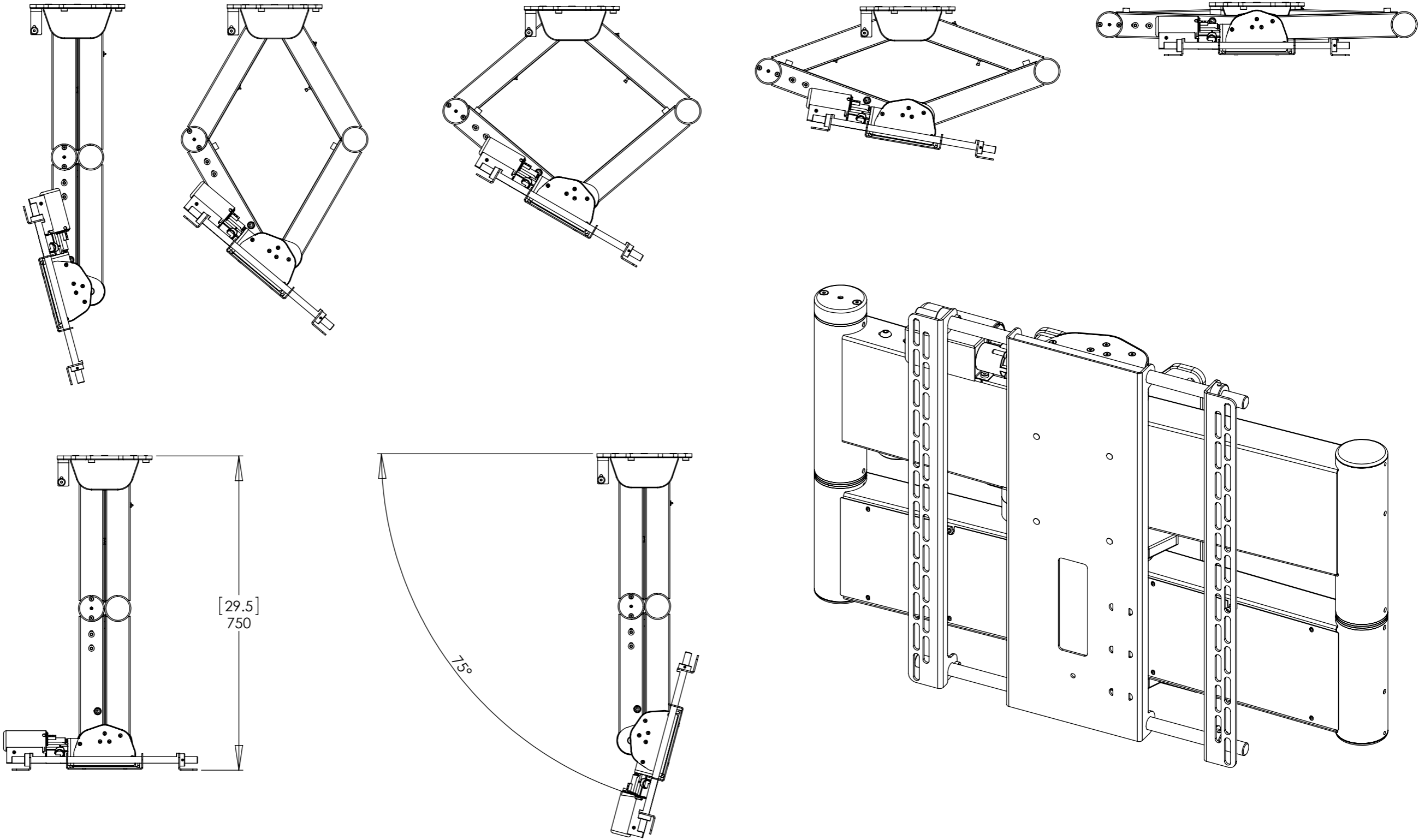
The bracket can move parallel to the wall to initially take the screen out of a tight recess. The screen will then turn to the appropriate side.

Hook on removable uprights allow the bracket to take a wide variety of screens.

The arms on the right-hand side of the bracket are reserved to conceal all power and signal cables.

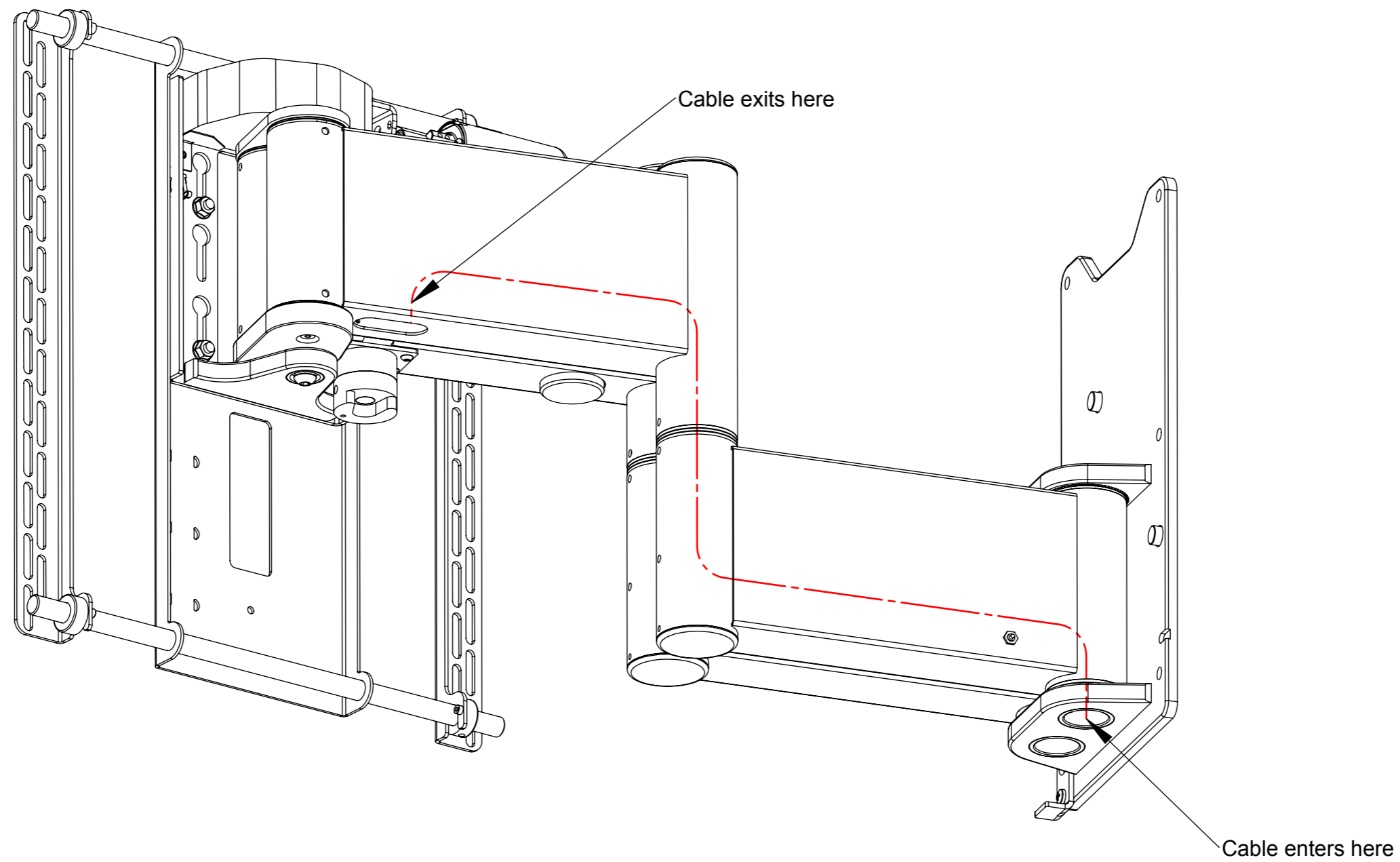
Available with Marine Lock to safely lock bracket against wall when not in viewing position.

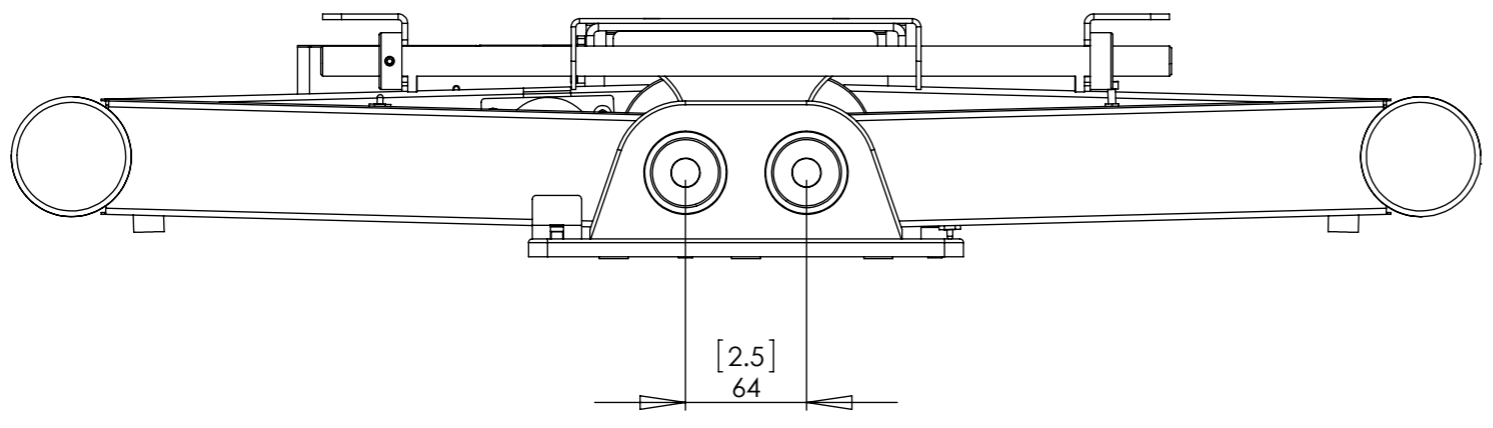
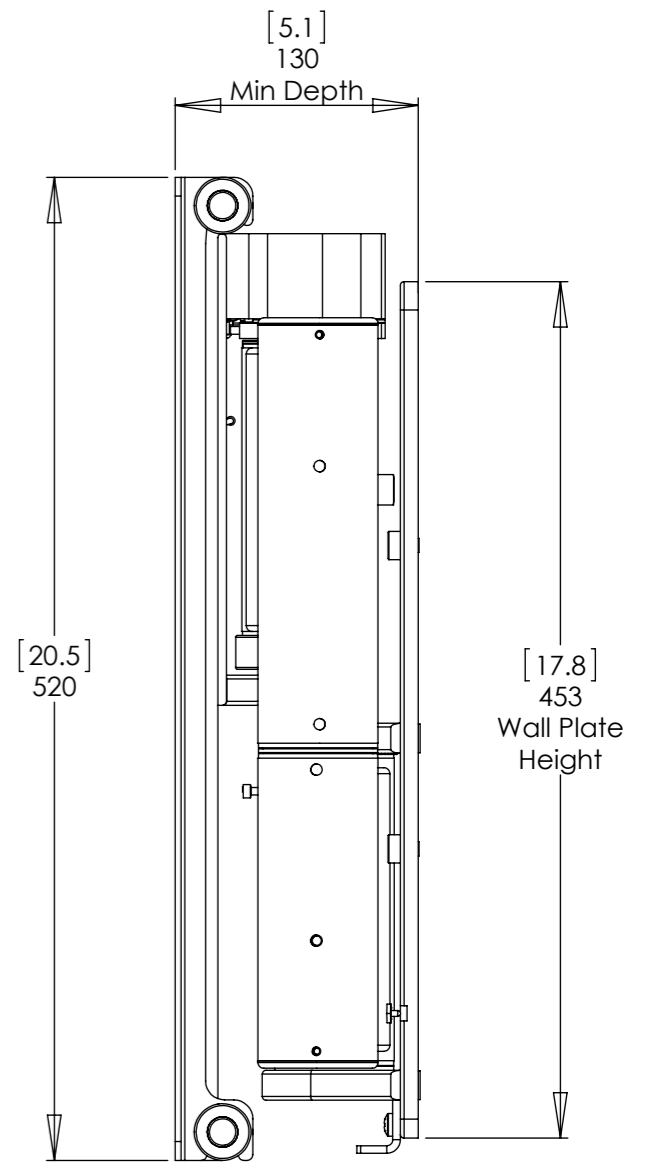
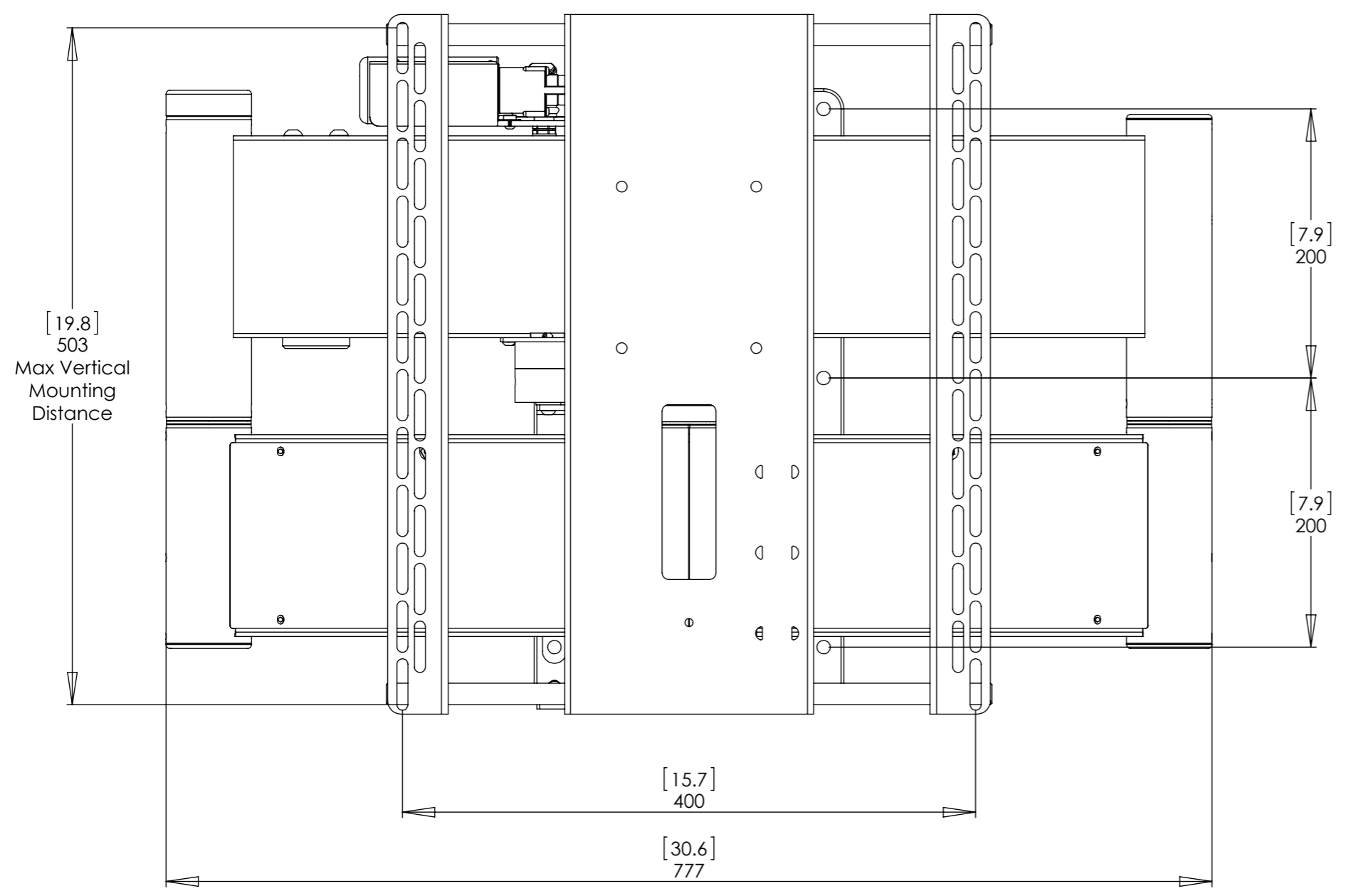
VIEWS BELOW SHOW ACTION FROM IN POSITION TO MAXIMUM OUT AT 75° CLOCKWISE



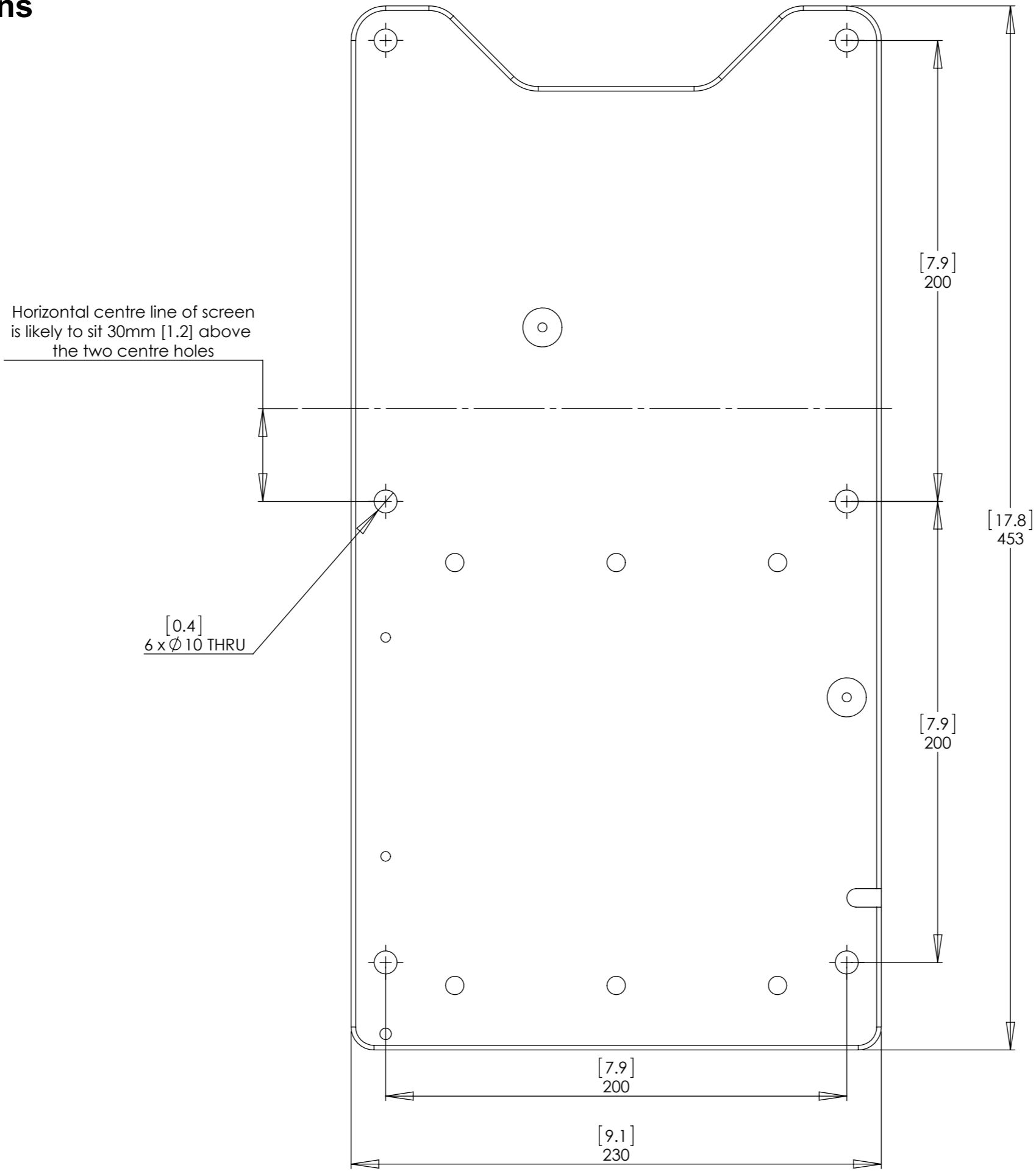
### Concealed Cable Options

QA2 has removable arm covers.  
All cables can be run inside the arm of the bracket to keep them out of site.

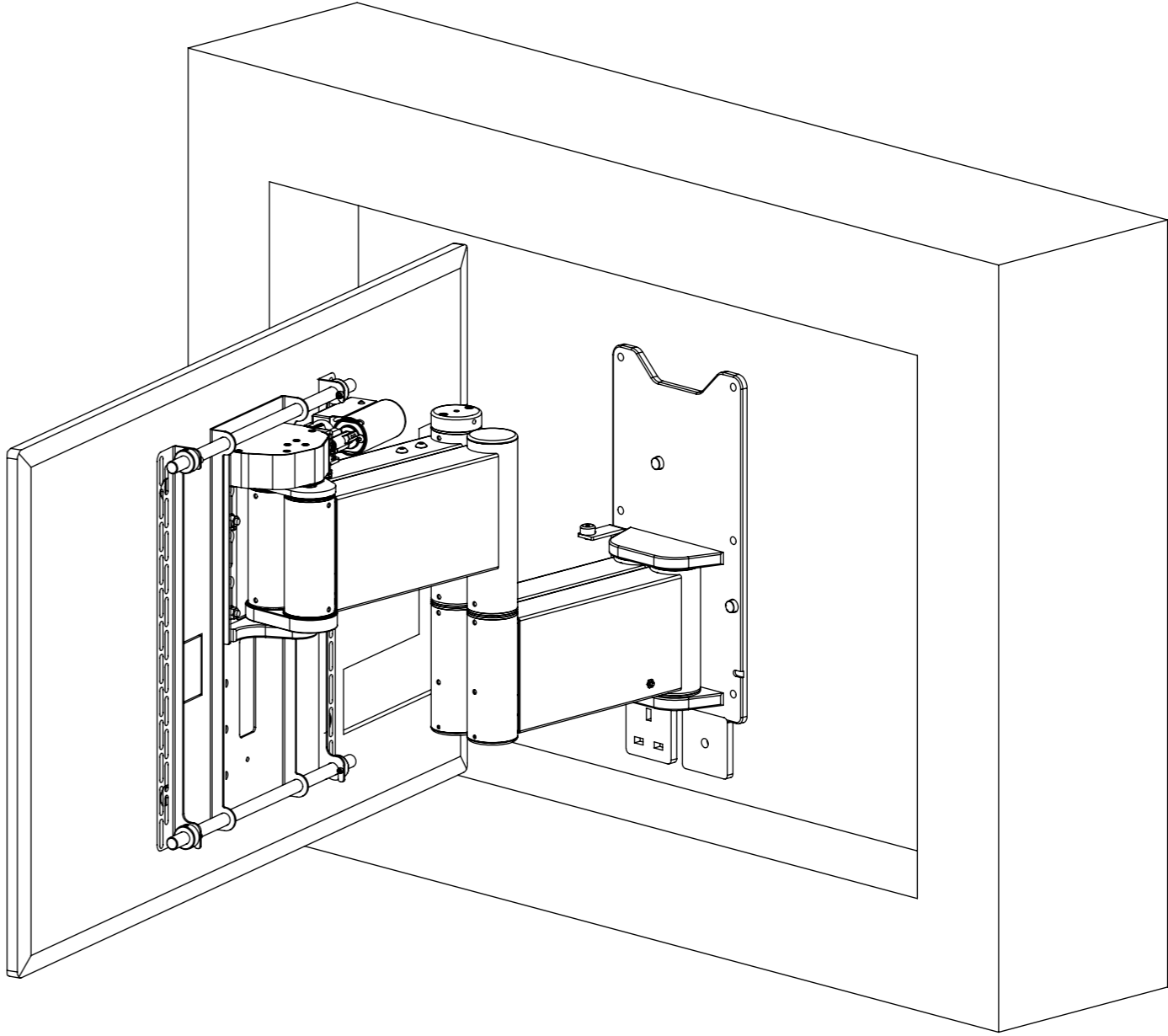
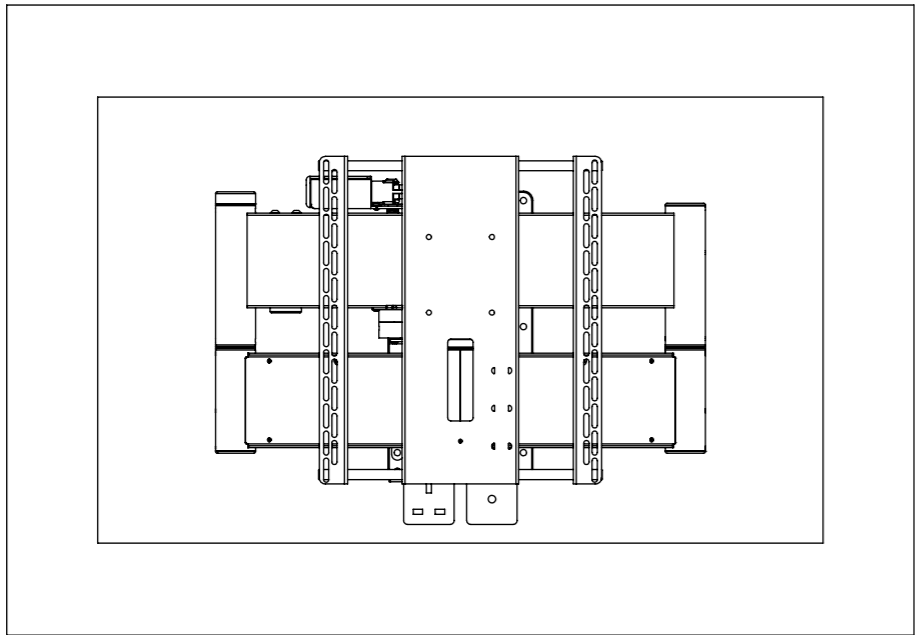
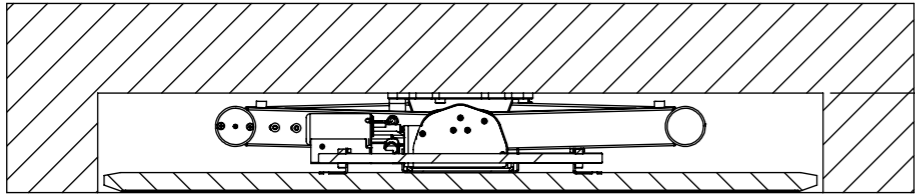
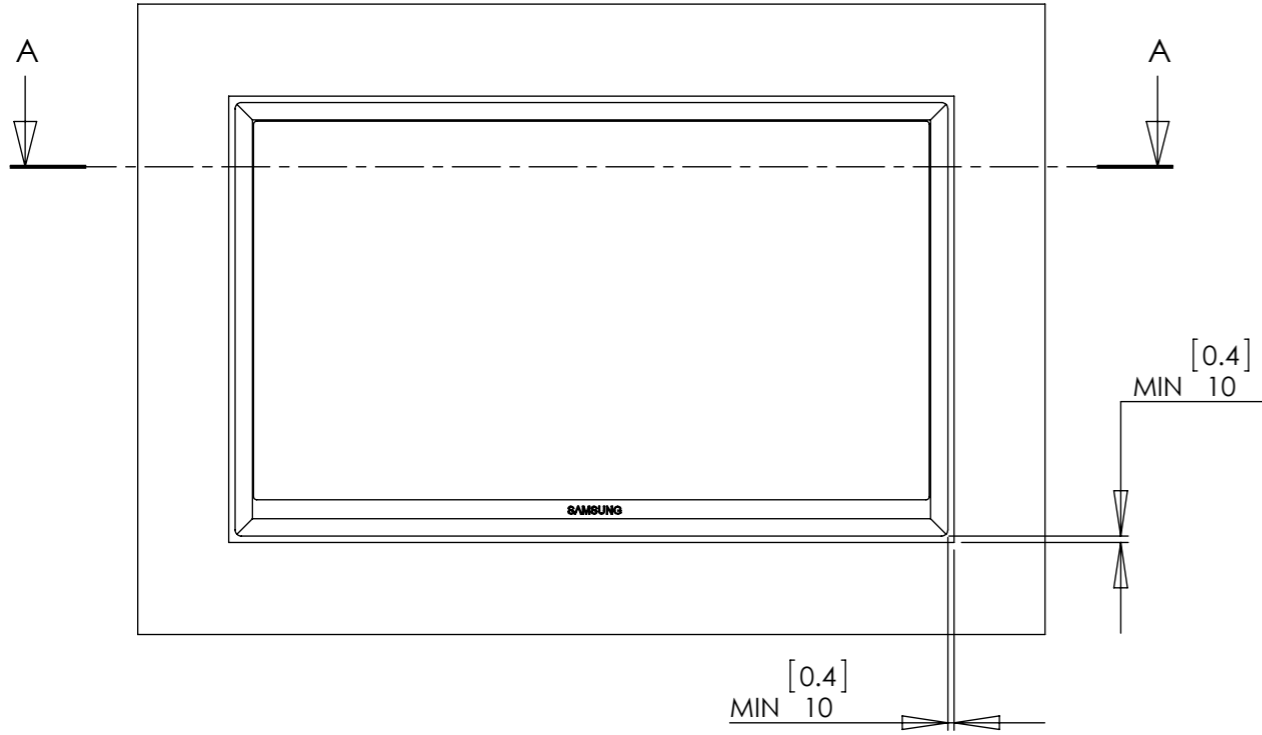




### Wall Plate - Dimensions



### Recess Mounting



RECESS DEPTH = Screen Depth + 135 [5.3]

A recess 10mm larger than the perimeter of the screen is acceptable. The screen will move out before turning. Allow for screen ventilation when creating recesses as tight as this.

For further information about control options and installation see QA2 INSTRUCTIONS.PDF

When putting in recesses and using the bracket at the maximum angle, beware of obscuring part of the screen. The example shown is a 1130mm wide screen with a depth of 28mm. With a deeper or wider screen the maximum angle will need to be reduced.