








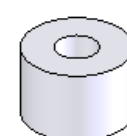
Your Pack Should Contain

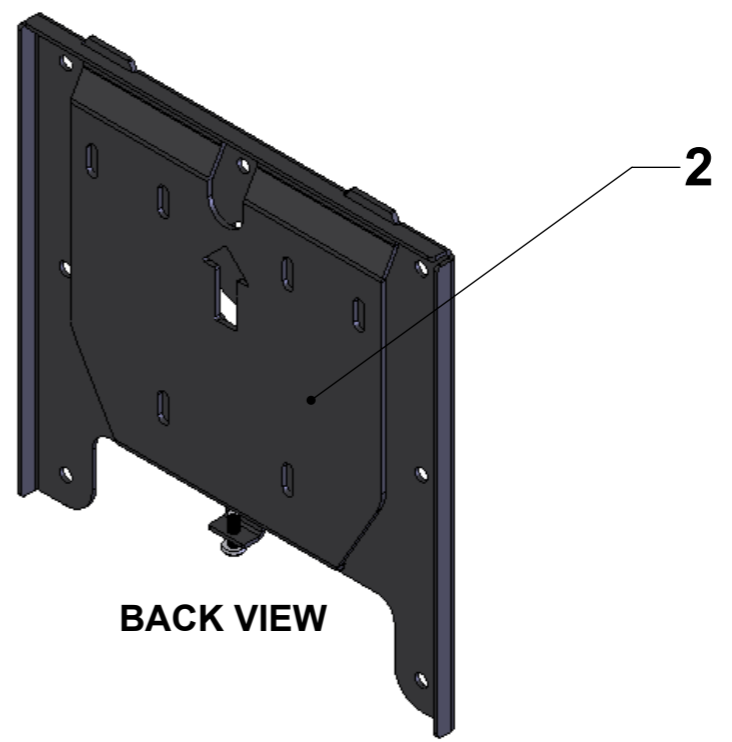
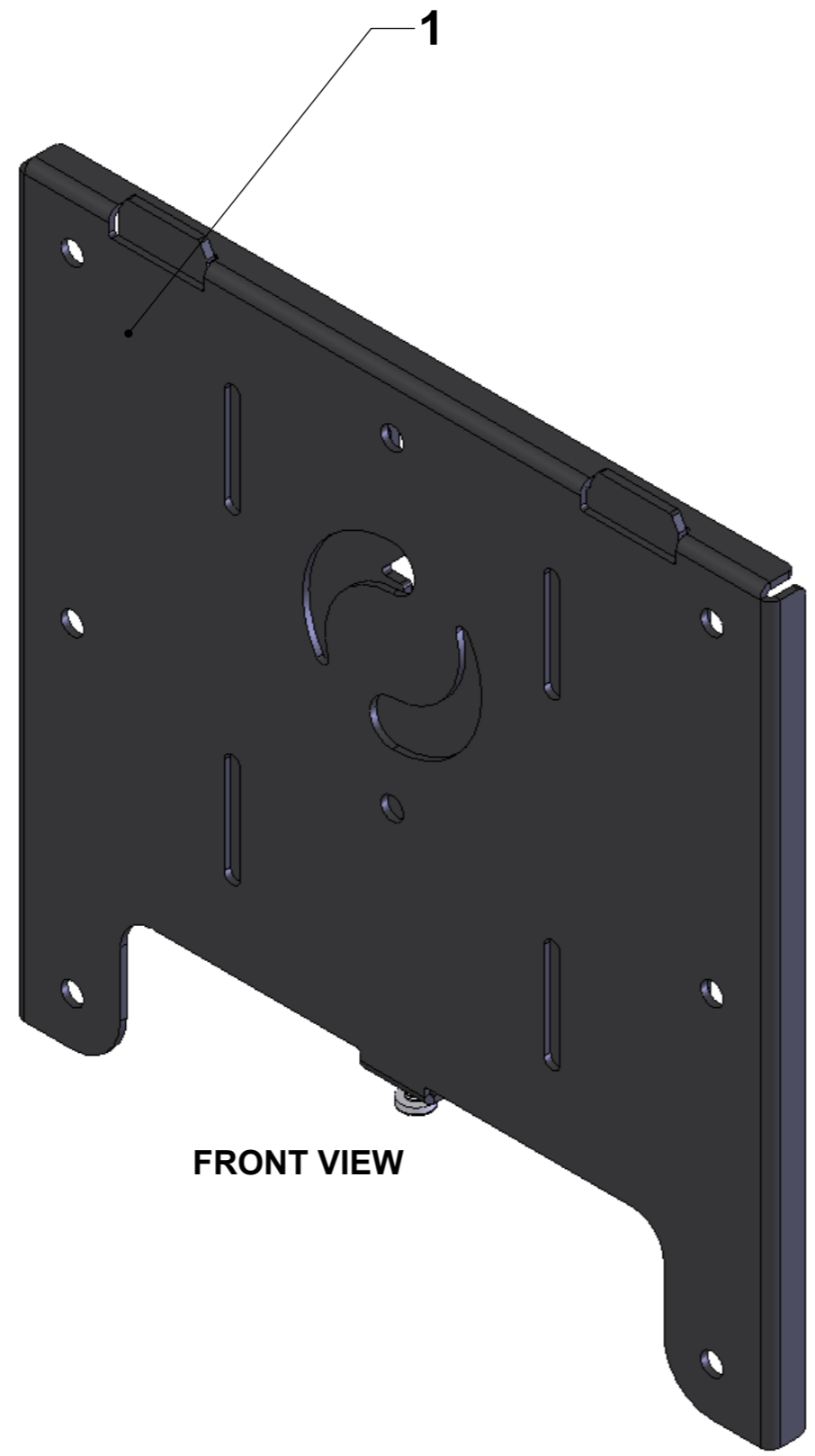
The following should be in your pack.

- 1. Screen Plate
- 2. Wall Plate

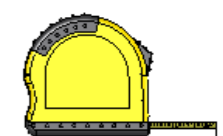



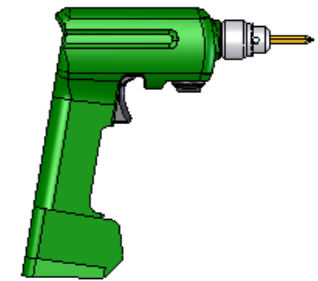
Throughout the instructions these parts may be referred to.

VESA Bolt Pack

	M4x12mm x 6
	M4x25mm x 6
	M5x12mm x 4
	M5x25mm x 4
	M6x12mm x 4
	M6x25mm x 4
	M6 Penny Washer x 4
	Spacer x 8 15OD 6ID 10mm

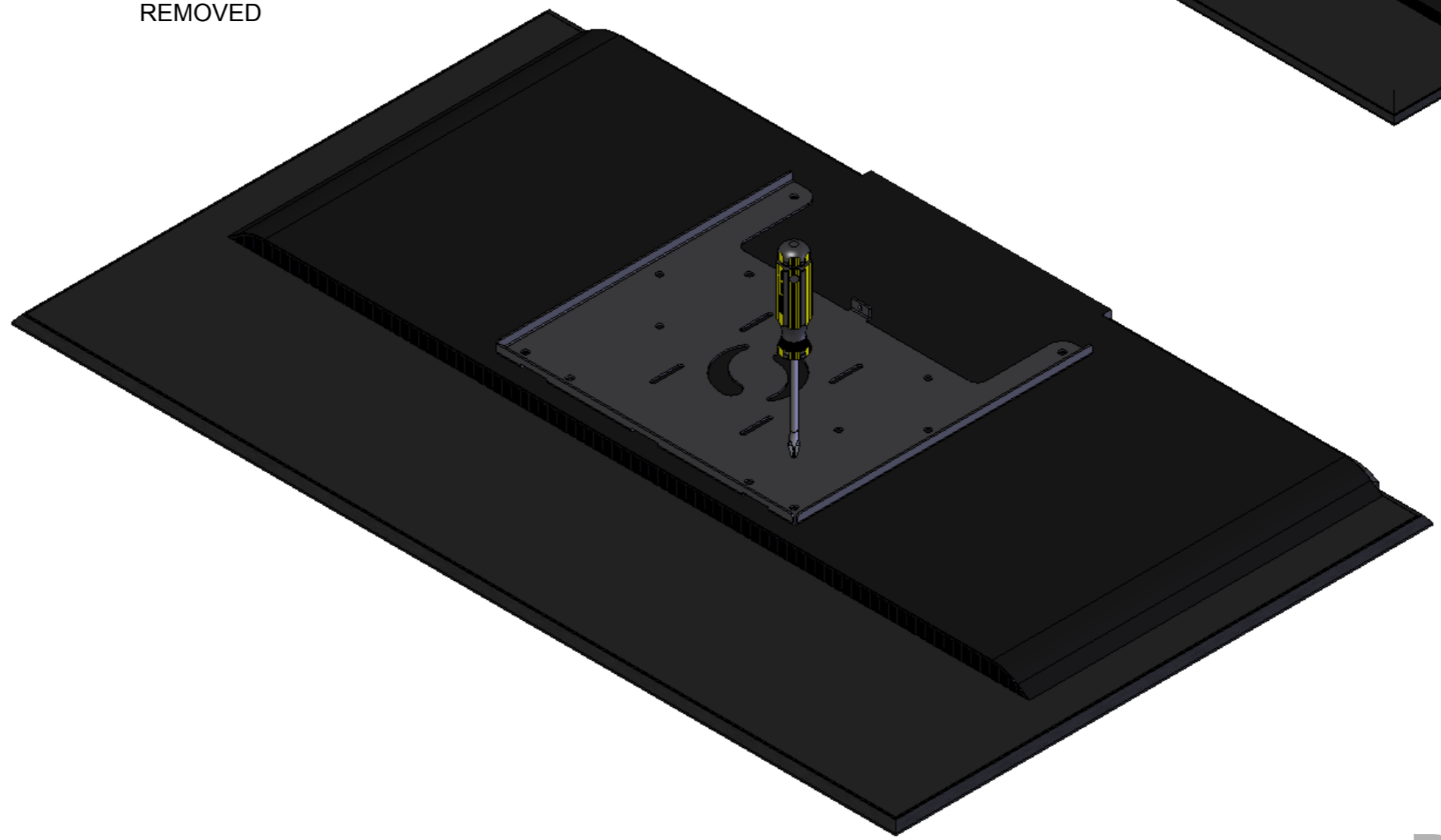
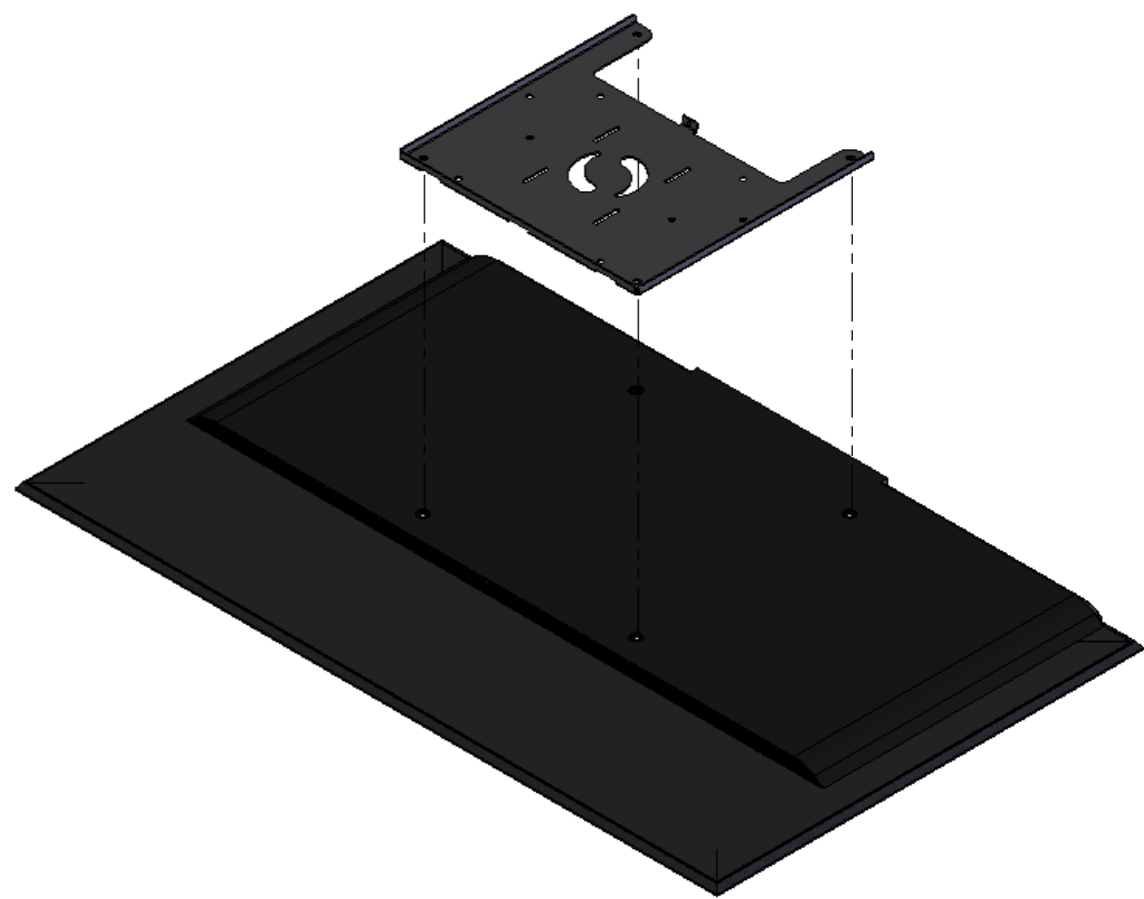
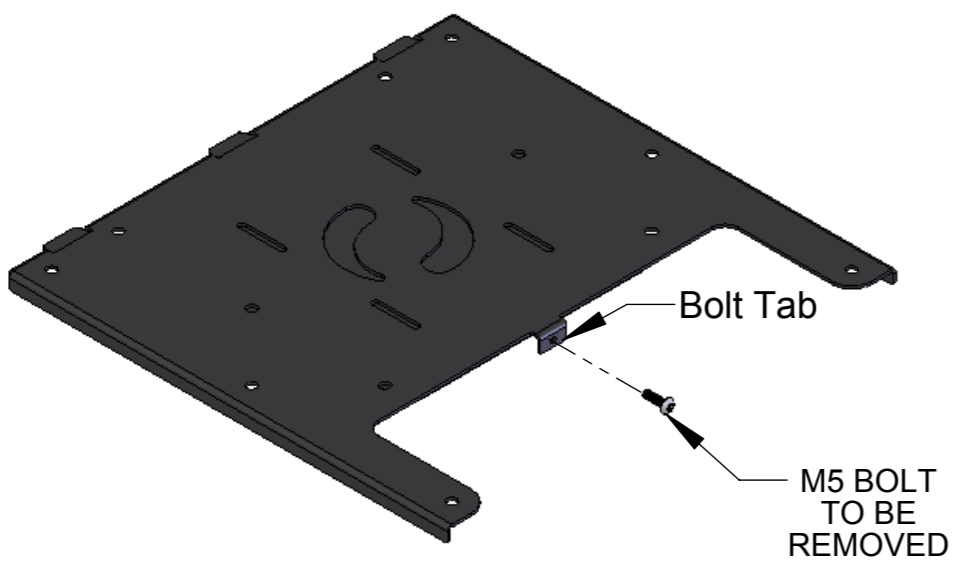


Tools Needed For Installation

-  Tape Measure
-  Long Phillips Head Screw Driver
-  Spirit Level
-  Pencil
-  Drill

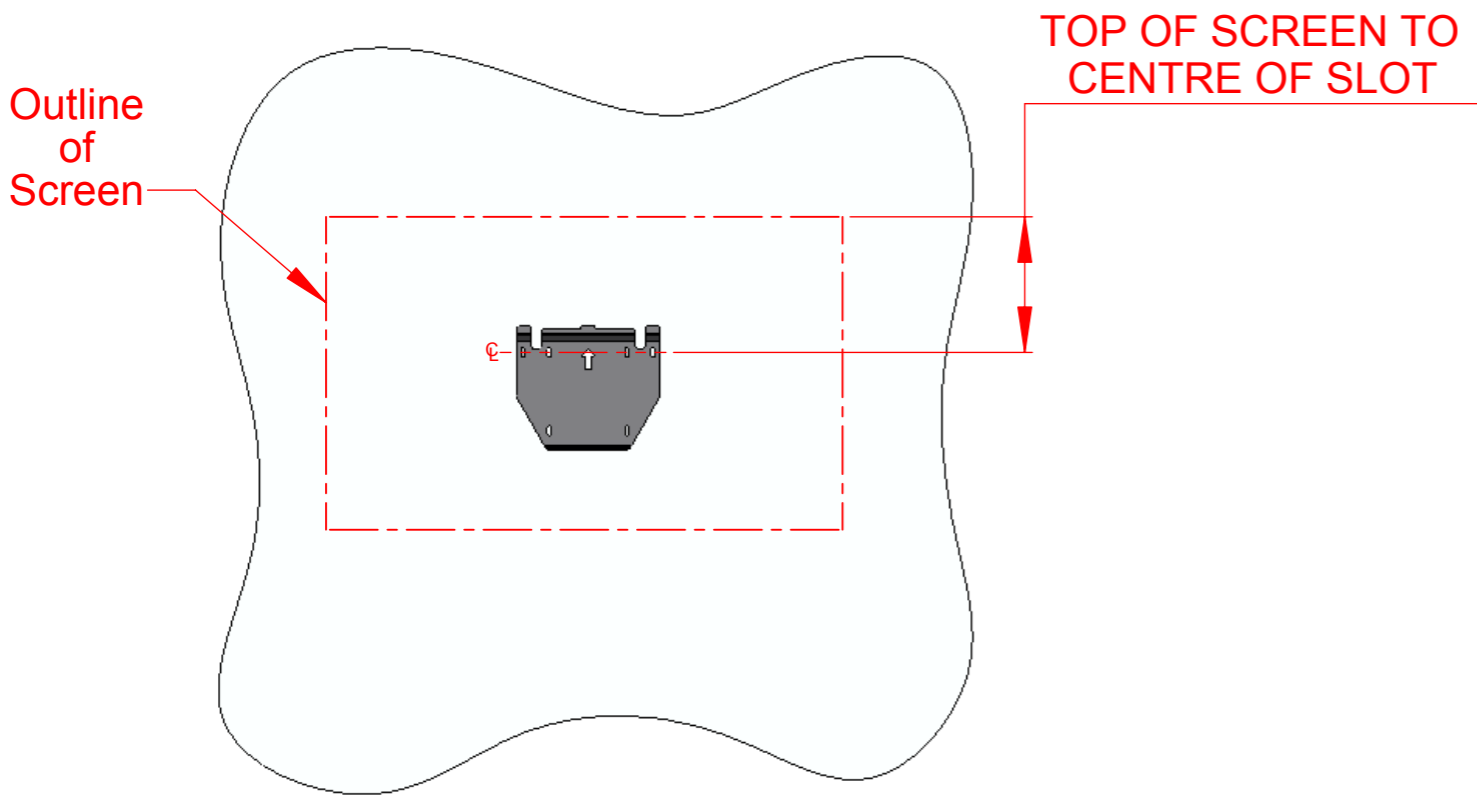
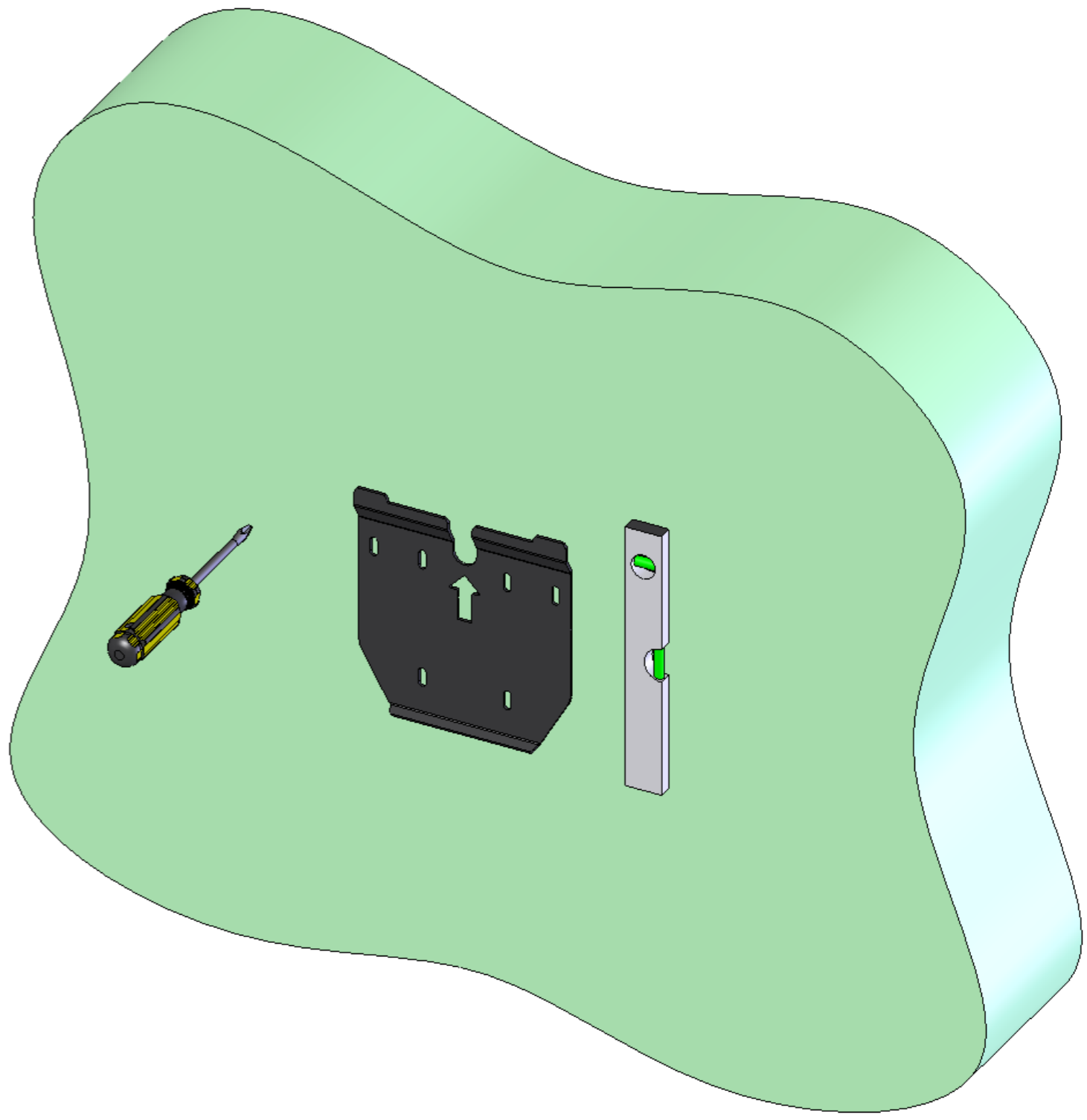
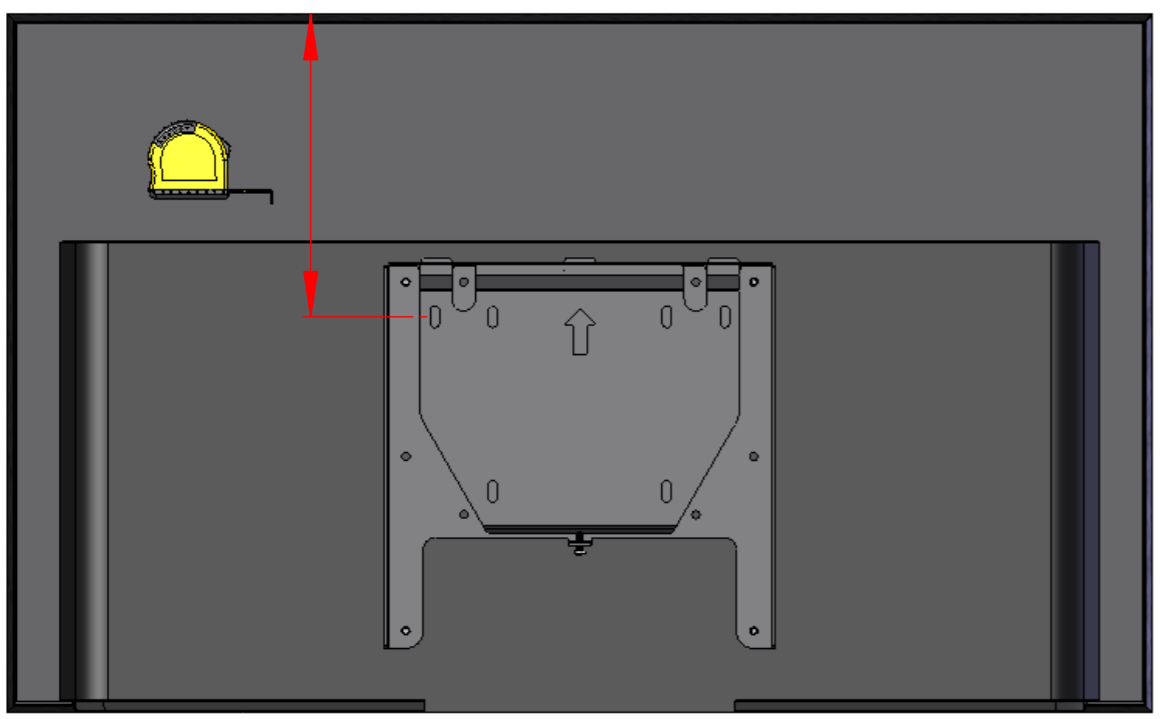
Stage 1

Separate the two pieces, and attach the screen mount to the back of the screen.



Stage 2

Measure from the top of the screen down to the centre of the slots. Remove Wall Plate and mount to wall with suitable fixings.



Stage 3

Hook Screen on and attach cables.
Secure mount with M5 screw.

**PLUG IN CABLES
BEFORE SECURING**

