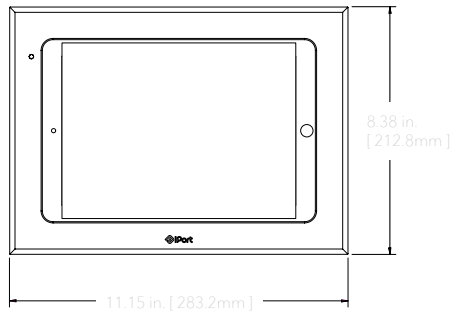


CONTROL MOUNT SPECIFICATIONS

Control Mount Air



Dimensions
 Weight: 3.59 lbs
 Height: 8.38"
 Width: 11.15"
 Depth: 2.28"
 Depth
 Off Wall: .2"
 Cut-out
 Dims
 (W x H): 10.33" x 7.82"

What's in the Box

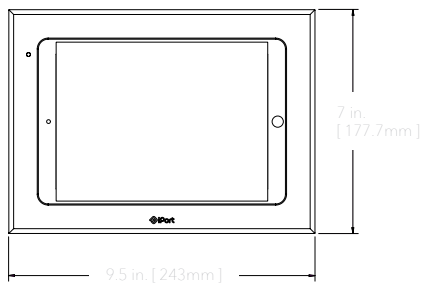
- Retainer
- Fascia
- Quickstart Guide
- Hardware
- Wall Plate
- Power Supply
- Mounting Back Box
- USB Electronics Board
- Cut-out Template

Power

- Input 15v 2 Amp
- Output 5v 2.4 Amp

SKU (White) - #70095

Control Mount Mini



Dimensions
 Weight: 1.75 lbs
 Height: 7"
 Width: 9.5"
 Depth: 2"
 Depth
 Off Wall: .18"
 Cut-out
 Dims
 (W x H): 8.83" x 6.44"

What's in the Box

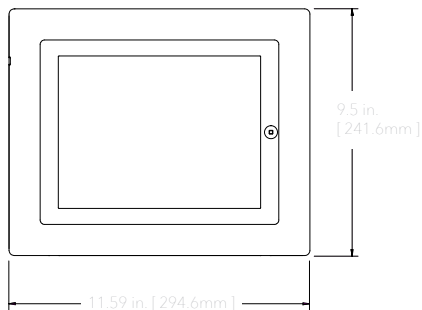
- Retainer
- Fascia
- Quickstart Guide
- Hardware
- Wall Plate
- Power Supply
- Mounting Back Box
- USB Electronics Board
- Cut-out Template

Power

- Input 15v 2 Amp
- Output 5v 2.4 Amp

SKU (White) - #70094

CM-IW2000 V2



Dimensions
 Weight: 4.55 lbs
 Height: 9.5"
 Width: 11.59"
 Depth: 2.36"
 Depth
 Off Wall: .36"

What's in the Box

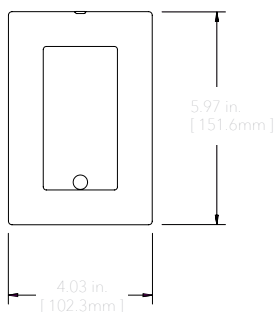
- Retainer
- Fascia
- Quickstart Guide
- Hardware
- Wall Plate
- Power Supply
- Mounting Back Box
- USB Electronics Board
- Cut-out Template

Power

- Input 15v 2 Amp
- Output 5v 2.4 Amp

SKU (White) - #70093

CM-IW200



Dimensions
 Weight: 1.07 lbs
 Height: 5.97"
 Width: 4.03"
 Depth: 2.24"
 Depth
 Off Wall: .21"

What's in the Box

- Retainer
- Fascia
- Quickstart Guide
- Hardware
- Wall Plate
- Power Supply
- Mounting Back Box
- 30-pin Electronics Board
- Cut-out Template

Power

- Input 15v 2 Amp
- Output 5v 2.4 Amp

SKU (White) - #70092