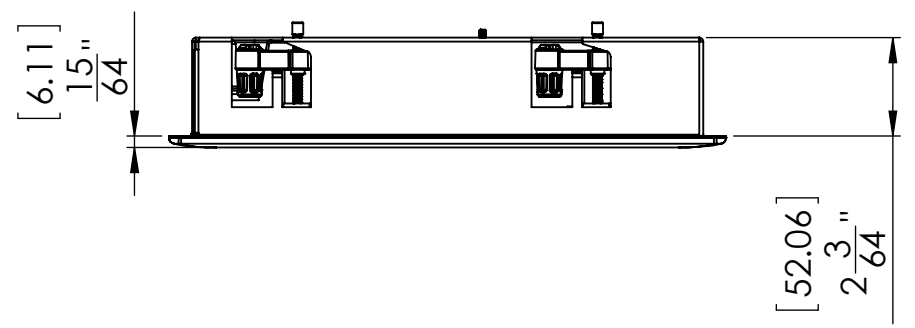


4

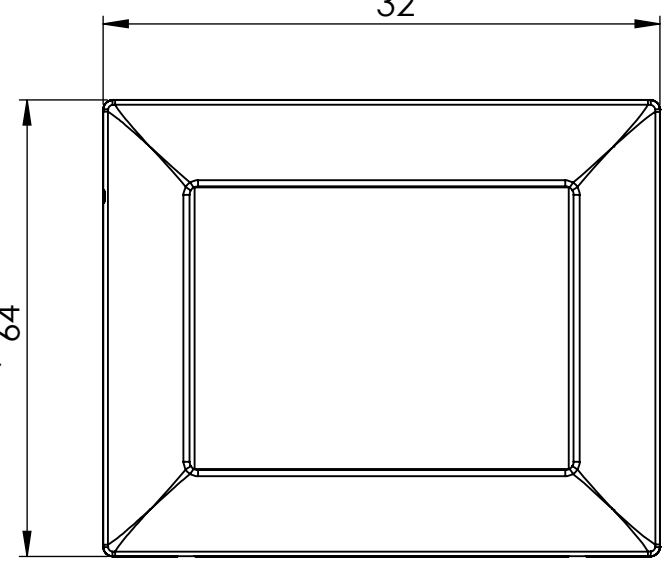
3

2

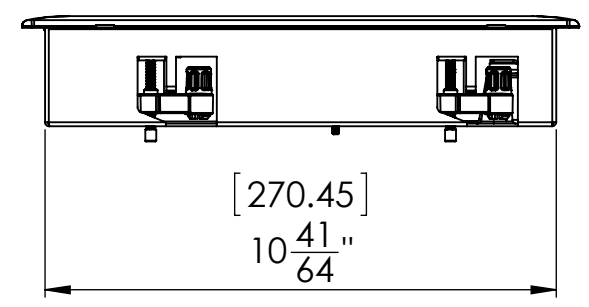
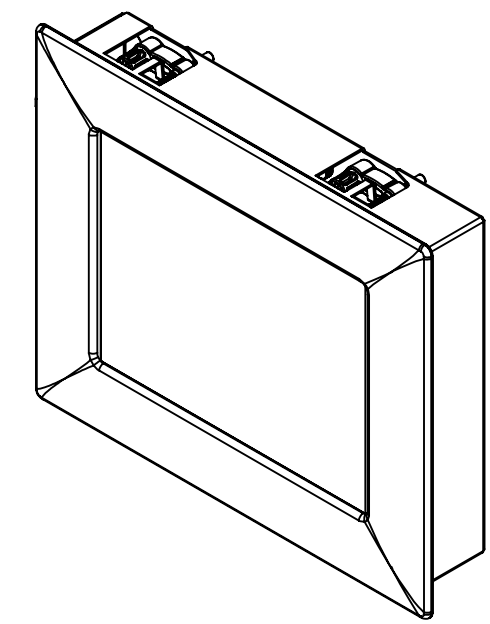
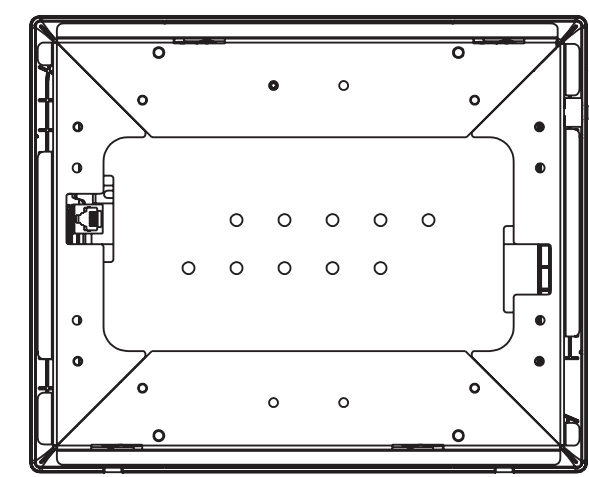
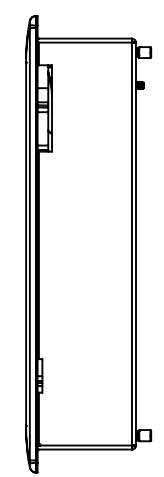
1



[294.63]  
11 19/32"




[217.36]  
8 9/16"



[270.45]  
10 41/64"

NOTES UNLESS OTHERWISE SPECIFIED:  
FOR CUTOUT DIMENSIONS SEE ROUTER TEMPLATE  
ALL DIMENSIONS ARE FOR REFERENCE ONLY

METRIC/INCHES		 <b>iPort</b> a DANA INNOVATIONS COMPANY	
DESIGNED IN SAN CLEMENTE, CALIFORNIA BY IPORT		NAME <b>CONTROL MOUNT IW-2000</b>	
<small>NOTICE OF PROPRIETARY INFORMATION: THE INFORMATION CONTAINED HEREIN IS THE PROPRIETARY PROPERTY OF DANA INNOVATIONS. THE POSSESSOR AGREES TO THE FOLLOWING: 1. TO MAINTAIN THIS DOCUMENT IN CONFIDENCE 2. NOT TO REPRODUCE OR COPY IT 3. NOT TO REVEAL OR PUBLISH IT IN WHOLE OR IN PART 4. ALL RIGHTS RESERVED</small>		SIZE <b>B</b>	SKU <b>70093</b>
SCALE: 1:4		GW 5.8lbs / NW 4.5lbs	REV <b>A</b> SHEET 1 OF 1

4

3

2

1

B

B

A

A