

4

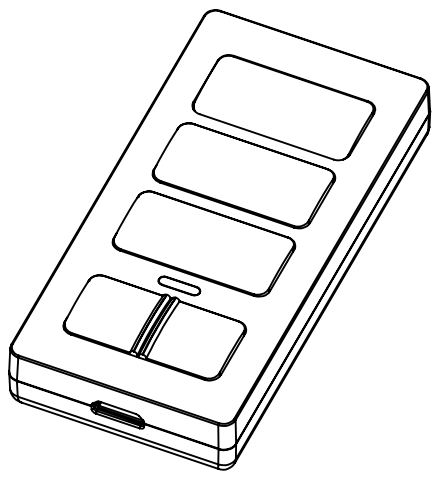
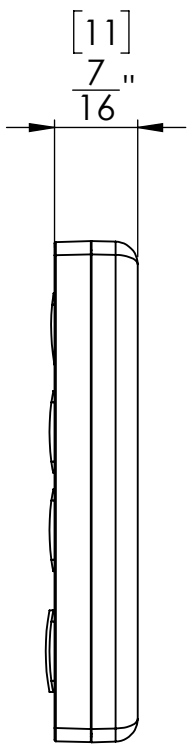
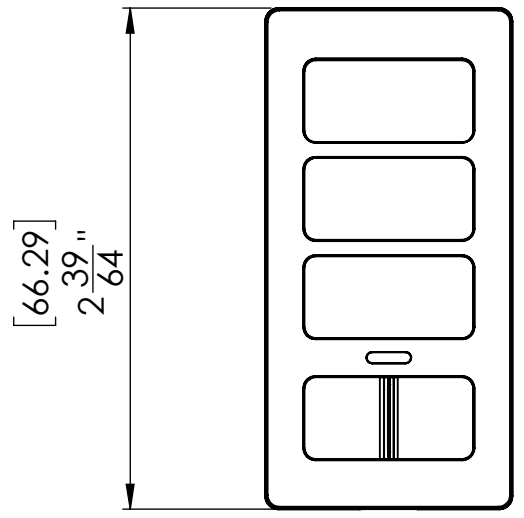
3

2

1

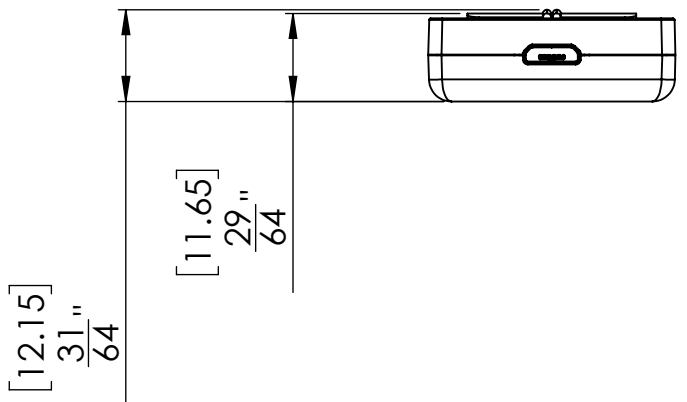
B

B



A

A



METRIC/INCHES	a DANA INNOVATIONS COMPANY	
DESIGNED IN SAN CLEMENTE, CALIFORNIA BY IPORT	NAME <b>XPRESS AUDIO KEYPAD ASSY</b>	
<small>NOTICE OF PROPRIETARY INFORMATION: THE INFORMATION CONTAINED HEREIN IS THE PROPRIETARY PROPERTY OF DANA INNOVATIONS. THE POSSESSOR AGREES TO THE FOLLOWING: 1. TO MAINTAIN THIS DOCUMENT IN CONFIDENCE 2. NOT TO REPRODUCE OR COPY IT 3. NOT TO REVEAL OR PUBLISH IT IN WHOLE OR IN PART 4. ALL RIGHTS RESERVED</small>	SIZE <b>B</b>	SKU <b>70800</b>
	SCALE: 1:1	WEIGHT:
		REV <b>A</b>
		SHEET 1 OF 1

4

3

2

1