

DKP-3016/DKP-3016W

OMNEO-Capable Color Display Desktop / Wall Mount Keypanel

The DKP-3016 keypanel delivers superior high-quality digital audio using the Bosch-branded OMNEO technology with Dante by Audinate audio over IP via either copper or fiber. The DKP-3016 delivers top-notch audio, free of noise, delay, and other artifacts present in older technology. As with other RTS products, emphasis has been placed on backward compatibility with previous generations of matrices including analog technology.

Also available is the DKP-3016W wall mount keypanel version.

The DKP-3016 keypanel utilizes the latest generation of wide angle TFT displays providing superior clarity and resolution, delivering high-quality readability under a variety of lighting conditions.



Desktop Unit

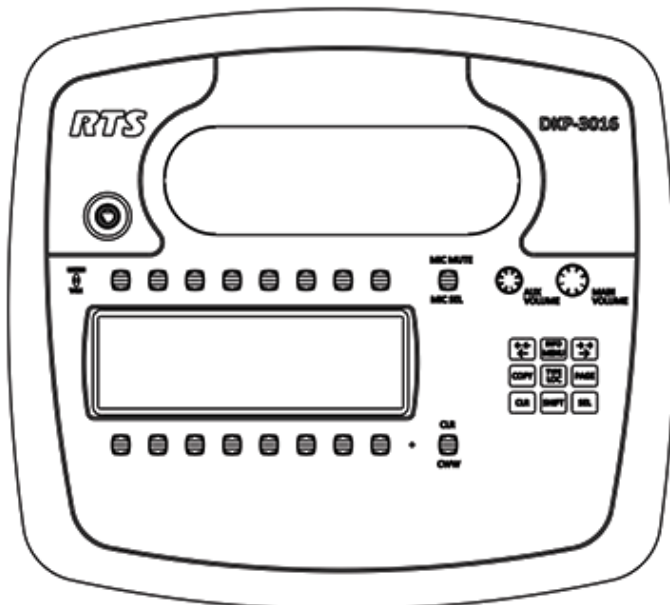


Wallmount Unit

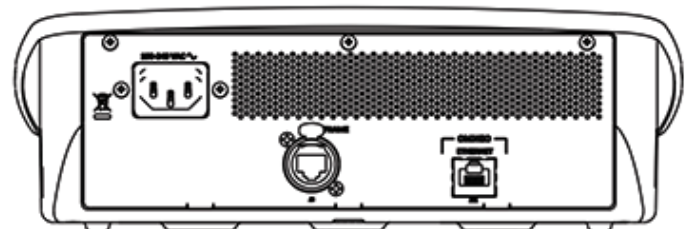
Features

- Backward compatible with older technologies such as analog audio in USOC and 568-B connector formats.
- New wide-angle high-definition display.
- Talk/listen lever keys
- Enhanced navigation menus optimized for ease of use.

Line Drawing



Front Panel View



Rear Panel View

Specifications

LCD Display:

Active Area: ...120.10 mm (wide) x 35.86 mm (high)
 Dot Resolution: 576 x 172 pixels
 Color Resolution 16-bit (64K)RGB color
 View Angle:..... 80 degrees (typical; all directions)

Power Supply:

Type:..... Internal
 AC Input:..... 100–240 VAC 50/60 Hz

Inputs:

Matrix

Type..... Balanced
 Typical Input Level..... +8 dBu
 Typical Input Impedance..... 20 kΩ
 Maximum Input Level +20 dBu
 Supported Bandwidth 100 Hz to 20 kHz

Panel Mic

Type..... Electret
 Typical Input Level..... -42 dBu
 Typical Input Impedance..... 1 kΩ
 Maximum Input Level -25 dBu

Left and Right Headset Mic - Electret

Typical Input Level..... -42 dBu
 Typical Input Impedance..... 1 kΩ
 Maximum Input Level -25 dBu

Left and Right Headset Mic - Dynamic

Typical Input Level..... -50 dBu
 Typical Input Impedance..... 600 Ω
 Maximum Input Level -25 dBu

Outputs:

Matrix

Type..... Balanced
 Typical Output Level..... +8 dBu
 THD+N% <0.20%
 Typical Output Impedance..... 600 Ω
 Maximum Output Level..... +20 dBu
 Frequency Response 100 Hz to 20 kHz

Headset - Left and Right

Maximum
 Output Power..... 125 mW for 32 Ω load
 Earphone Impedance 16 Ω and above
 THD+N% <0.20%
 Frequency Response 20 Hz to 20 kHz

Digital:

OMNEO Channels

Typical OMNEO Latency 1 ms
 Frequency Response 20 Hz to 20 kHz

Environmental:

Dimensions

3.60 in. H x 10.63 in. W x 9.35 in. D
 (91.5 mm H x 270.1 mm Wx 237.6 mm D)

Weight

Weight 3.59lb (1.63kg)

Temperature

Operating..... 32°F to 131°F (0°C to 50°C)
 Storage..... -4°F to 158°F (-20°C to 70°C)

Power Consumption:

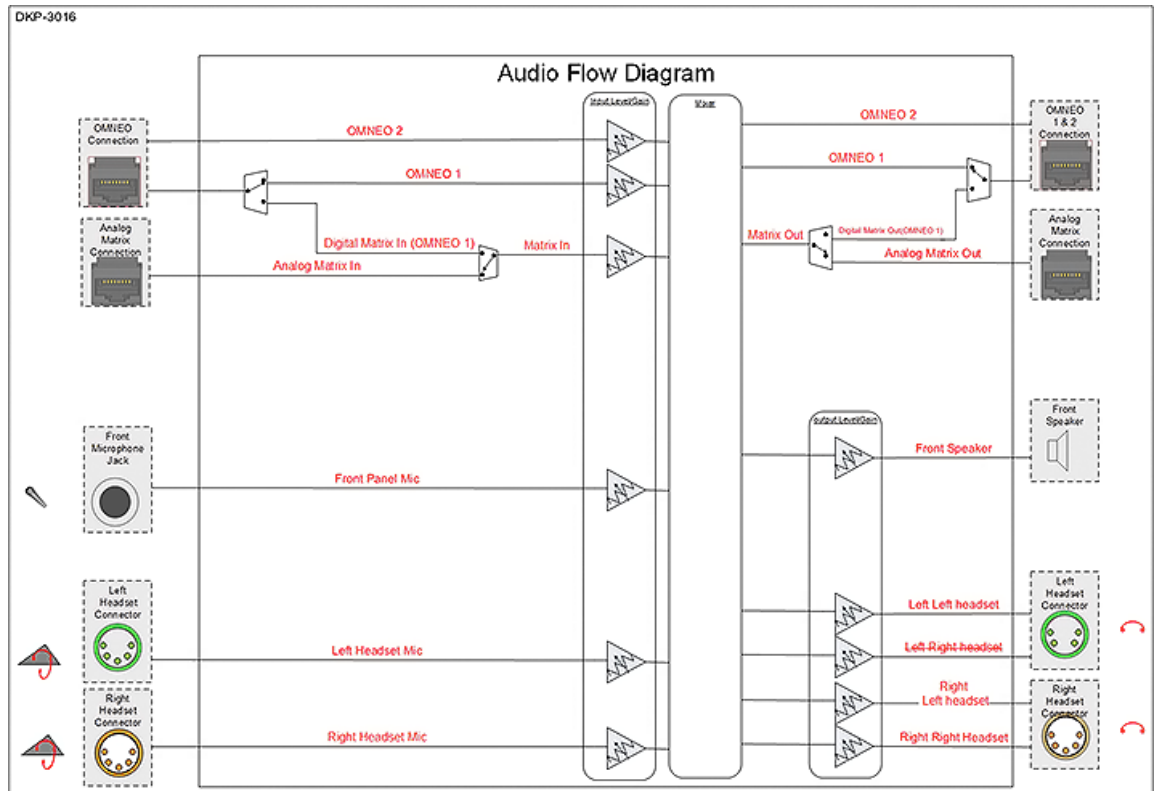
Nominal 13 Watts
 Maximum 17 Watts
 Maximum Volt Amp..... 42 VA

Certification:

EMC
 EN55032 Class A
 VCCI Class A
 ICES-003 Class A
 FCC Part 15 Subpart B Class A
 AS/NZS CISPR22 Class A
 Korean KN 32 Class A
 BSMI Class A
 EN 55024
 Korean KN 35

Safety

UL 60950-1
 EN60950-1
 CB Report
 PSE



Order Information

DKP3016 •DKP-3016 Desktop Keypanel
DKP3016W •DKP-3016W Wallmount Keypanel

The specification information is subject to change without notification. Brand names mentioned are the property of their respective companies.