

4K HDR 4 Input Matrix Switcher with 4 Scaling Outputs

EXP-MX-0404-H2



Quickstart Guide

WyreStorm recommends reading through this document in its entirety to become familiar with the product's features prior to starting the installation process.



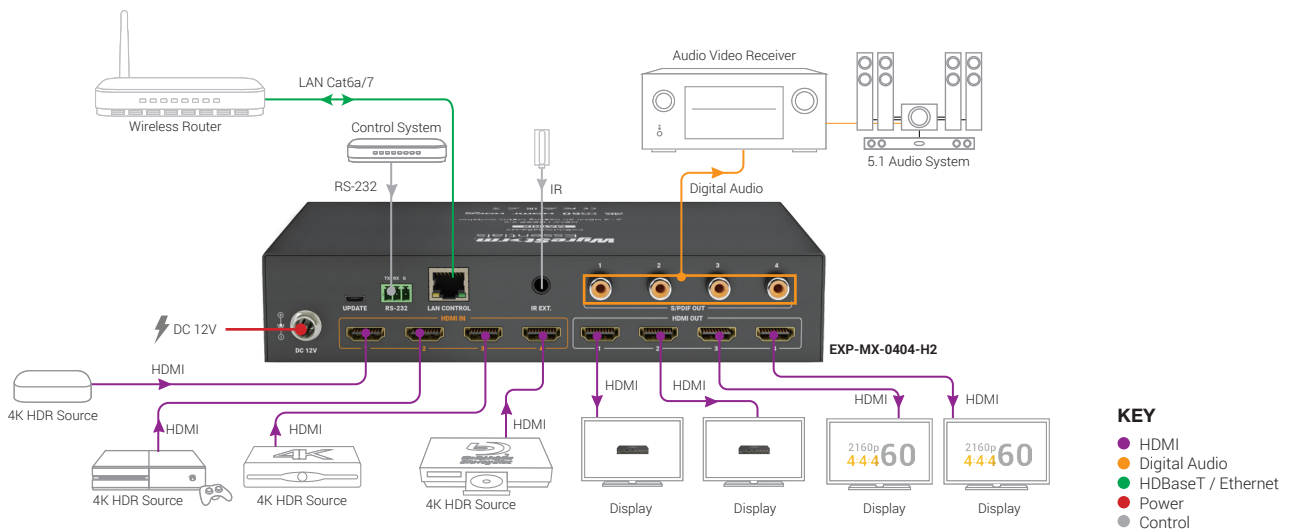
IMPORTANT! Installation Requirements

- Visit the product page to download the latest firmware, document version, additional documentation, and configuration tools.
- Read through the [Wiring and Connections](#) section for important guidelines before creating or choosing premade cables.

In The Box

- 1x EXP-MX-0404-H2 Matrix
- 1x 12V DC 1A power supply
- 1x 3.5mm 3-pin Terminal Block
- 1x Remote Control Handset (CR2025 Battery not Included)
- 2x Mounting Brackets

Basic Wiring Diagram



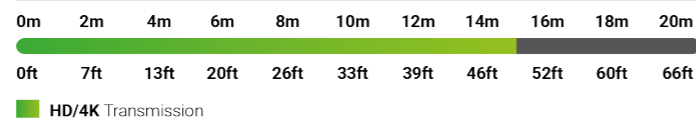
Wiring and Connections

WyreStorm recommends that all wiring for the installation is run and terminated prior to making connections to the switcher. Read through this section in it's entirety before running or terminating the wires to ensure proper operation and to avoid damaging equipment.

⚠️ IMPORTANT! Wiring Guidelines

- The use of patch panels, wall plates, cable extenders, kinks in cables, and electrical or environmental interference will have an adverse effect on signal transmission which may limit performance. Steps should be taken to minimize or remove these factors completely during installation for best results.
- WyreStorm recommends using pre-terminated HDMI cables due to the complexity of these connector types. Using pre-terminated cables will ensure that these connections are accurate and will not interfere with the performance of the product.

HDMI Cable Performance Guide

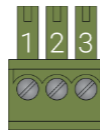


Installation and Operation

- Connect HDMI sources to INPUT ports 1-4 using good quality HDMI cables.
- Connect an HDMI display device to the HDMI OUT ports of the switcher.
- Turn the power on using the included remote handset, ensuring LED power indicators are fully lit on the front of the switcher. If not, check to make sure the HDMI cables are firmly connected.
- To operate the switcher, press the SWITCH buttons on the front of the unit to scroll numerically through connected sources.
- Alternatively, use the remote control handset to scroll forwards and backwards through the inputs or push buttons 1-4 corresponding to the connected sources. Furthermore, a RS-232 connection from a control system can be used to control the device.

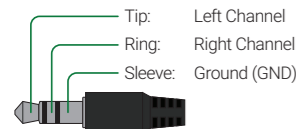
RS-232 Wiring

The EXP-MX-0402-H2 uses a 3-pin RS-232 with no hardware flow control. Most control systems and computers are DTE where pin 2 is RX, this can vary from device to device. Refer to the documentation for the connected device for pin functionality to ensure that the correct connections can be made. Refer to [RS-232 Mode Settings](#) for details on setting RS-232 modes.



| | WyreStorm Connector | | 3rd Party Device |
|-------|---------------------|--------------|------------------|
| Pin 1 | TX (Transmit) | ---> To ---> | RX (Receive) |
| Pin 2 | RX (Receive) | ---> To ---> | TX (Transmit) |
| Pin 3 | G (Ground) | ---> To ---> | G (Ground) |

Audio Connections



Setup and Configuration

Troubleshooting

No or Poor Quality Picture (snow or noisy image)

- Verify that power is being supplied to all devices in the system and that they are powered on.
- Verify that all HDMI connections are not loose and are functioning properly.
- If transmitting 3D or 4K, verify that the HDMI cables used are 3D or 4K rated.

💡 Troubleshooting Tips:

- WyreStorm recommends using a cable tester or connecting the cable to other devices to verify functionality.

Specifications

| Audio and Video | | |
|--------------------------------|---|-------------|
| Inputs | 4x HDMI In: 19-pin type A | |
| Outputs | 4x HDMI Out: 19-pin type A 1x IR Extension 4x S/PDIF Coaxial | |
| Audio Formats | HDMI: 2ch PCM Multichannel: LPCM and up to DTS-X and Dolby Atmos Coaxial: 5.1ch surround sound | |
| Video Resolutions (Max) | Resolution | HDMI |
| | 1920x1080p @60Hz 12bit | 15m/49ft |
| | 1920x1080p @60Hz 16bit | 7m/23ft |
| | 3840x2160p @24Hz 10bit 4:2:0 HDR | 5m/16ft |
| | 3840x2160p @30Hz 8bit 4:4:4 | 7m/23ft |
| | 3840x2160p @60Hz 10bit 4:2:0 HDR | 5m/16ft |
| 4096x2160p @60Hz 8bit 4:2:0 | 7m/23ft | |
| 4096x2160p @60Hz 8bit 4:4:4 | 5m/16ft | |
| Supported Standards | DCI RGB HDR HDR10 Dolby Vision up to 30Hz HLG BT.2020 BT.2100 | |
| Maximum Pixel Clock | 600MHz | |
| Communication and Control | | |
| HDMI | HDCP 2.2 DVI-D supported with adapter (not included) | |
| IR | 1x Front Panel Sensor | |
| RS-232 | 1x 3-Pin Terminal Block | |
| Ethernet | 1x LAN: 8-pin RJ-45 Female 10/100 Mbps auto-negotiating IP Control | |
| Power | | |
| Power Supply | 5V DC 2A | |
| Max Power Consumption | 10W | |
| Environmental | | |
| Operating Temperature | 0 to + 45°C (32 to + 113 °F), 10% to 90%, non-condensing | |
| Storage Temperature | -20 to +70°C (-4 to + 158 °F), 10% to 90%, non-condensing | |
| Maximum BTU | 17.06 BTU/hr | |
| Dimensions and Weight | | |
| Rack Units/Wall Box | <1U | |
| Height | 42mm/1.65in | |
| Width | 215mm/8.46in | |
| Depth | 120.2mm/4.73in | |
| Weight | 0.88kg/1.94lbs | |
| Regulatory | | |
| Safety and Emission | CE FCC RoHS EAC | |

Note: WyreStorm reserves the right to change product specification, appearance or dimensions of this product at any time without prior notice.